

NESTiG

Alligator Organizer



Please read all instructions before assembly
and use of product!

Lisez toutes les instructions avant
d'assembler et d'utiliser le produit!

Welcome to the Nestig World!

Our Warranty

Our products come with a limited two year warranty! We do our best to ensure everything arrives in perfect shape, but if anything arrives damaged, missing, or defective, our Customer Experience team is here to help.

Just email us at hello@nestig.com and we'll be glad to assist!

For more information on our warranty, visit:

<https://www.nestig.com/pages/warranty-policy>

Bienvenue dans le monde de Nestig!

Notre Garantie

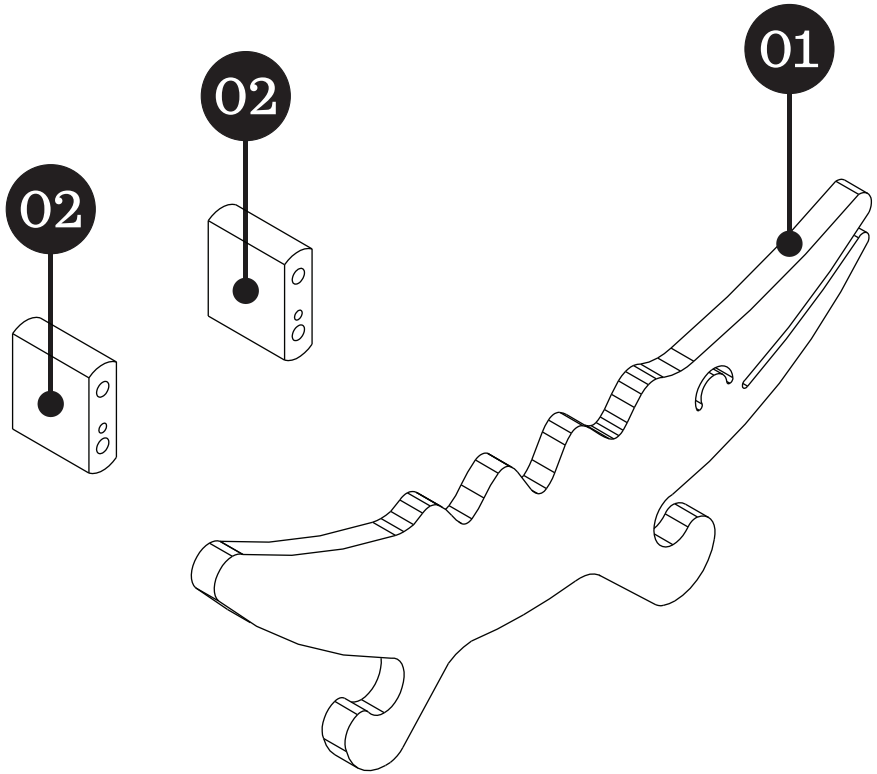
Nos produits sont accompagnés d'une garantie limitée de deux ans! Nous faisons de notre mieux pour que tout arrive forme parfaite, mais si quelque chose arrive endommagé, manquant ou défectueux, notre équipe Expérience Client est là pour vous aider.

Envoyez-nous un e-mail à hello@nestig.com et nous serons heureux de vous aider!

Pour plus d'informations sur notre garantie, visitez:

<https://www.nestig.com/pages/warranty-policy>

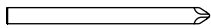
Product Parts Detail



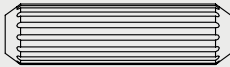
ITEM	DESCRIPTION	QUANTITY
01	Alligator Hook	01
02	Supports	02

Hardware List

Not included: Phillips screwdriver, hammer, and drill



Phillips head screwdriver

A

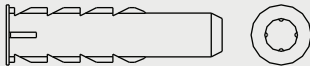
x04

Dowel 8x30mm

B

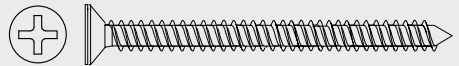
x02

Screw 4x40mm

C

x02

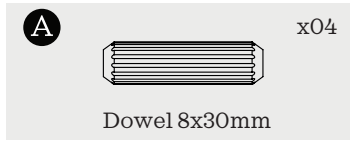
Anchor 8mm

D

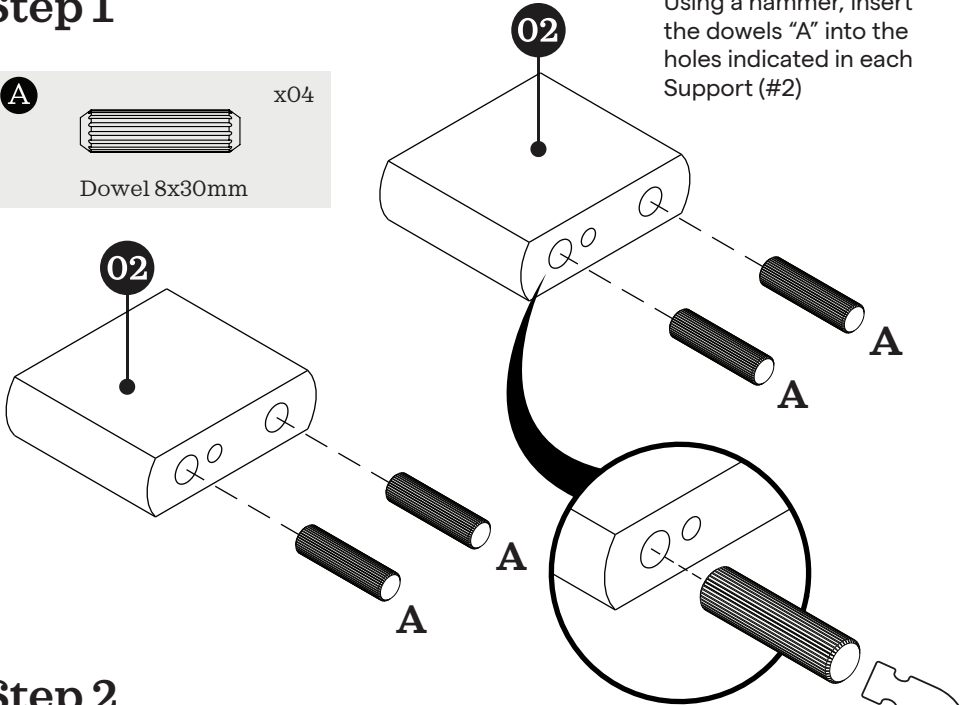
x02

Screw 4x50mm

Step 1

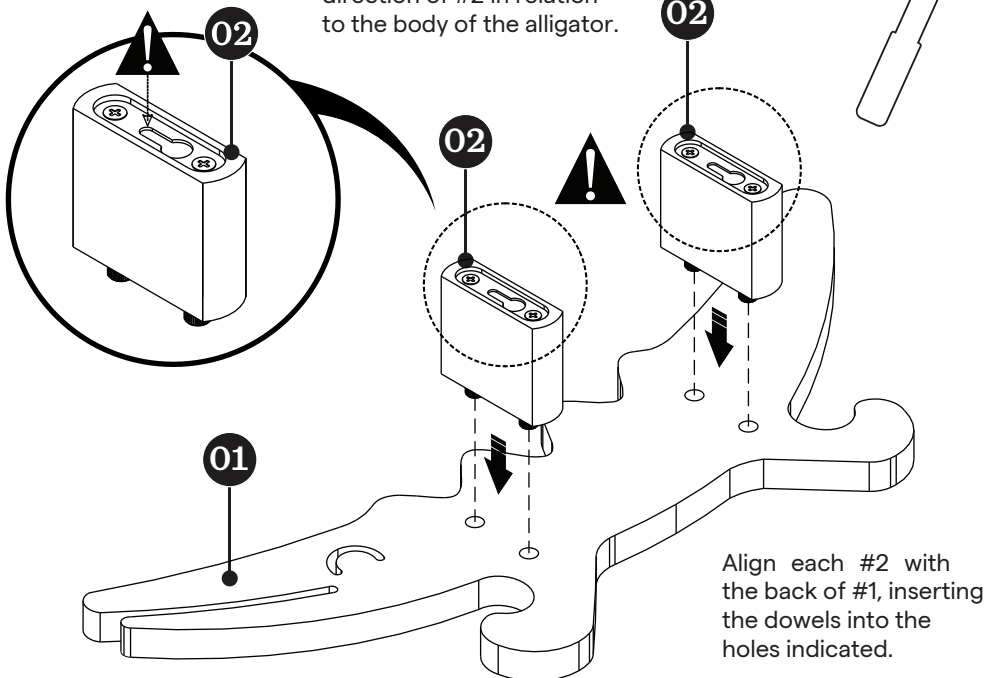


Using a hammer, insert the dowels "A" into the holes indicated in each Support (#2)



Step 2

Pay attention to the direction of #2 in relation to the body of the alligator.



Align each #2 with the back of #1, inserting the dowels into the holes indicated.

Step 3

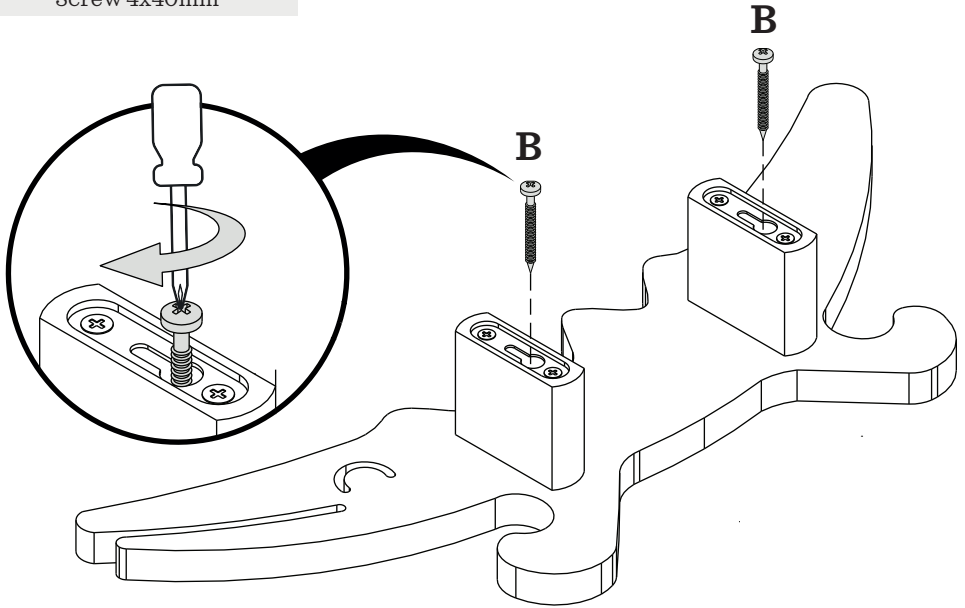
B

x02



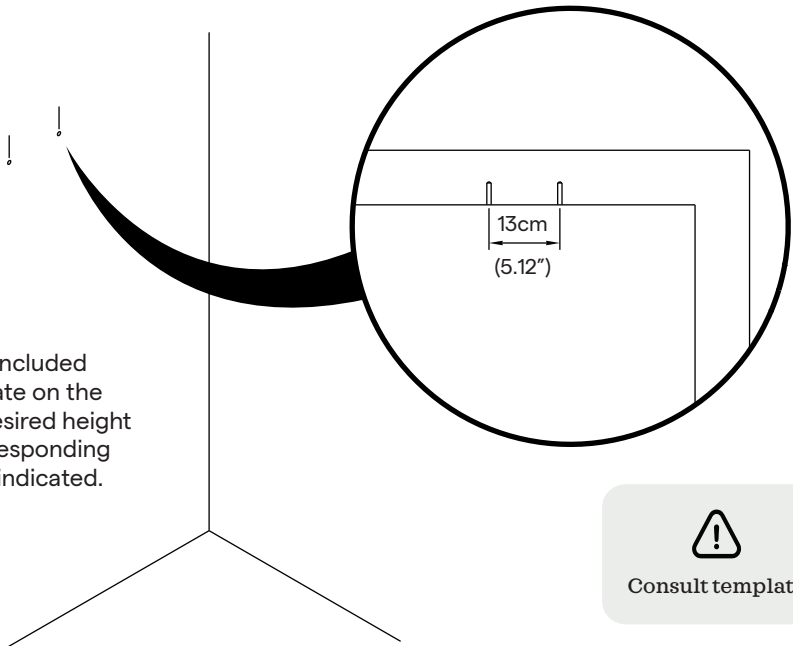
Screw 4x40mm

Attach the Supports (#2) to the alligator using screw "B" and tighten with a Phillips head screwdriver



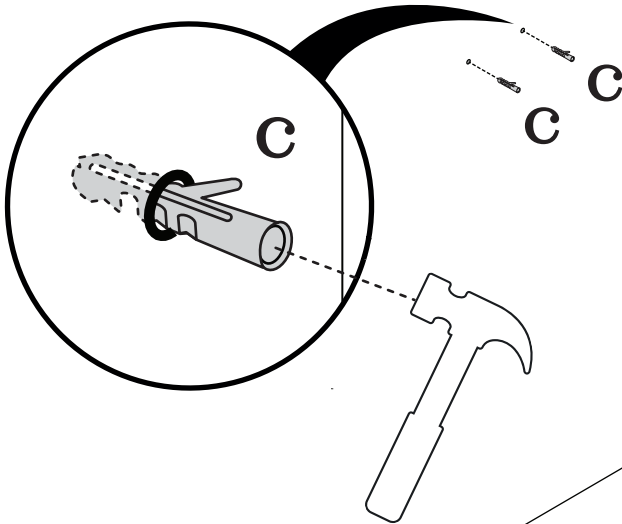
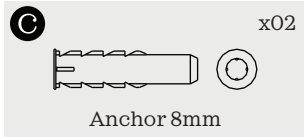
Step 4

Position the included paper template on the wall at the desired height and drill corresponding holes where indicated.



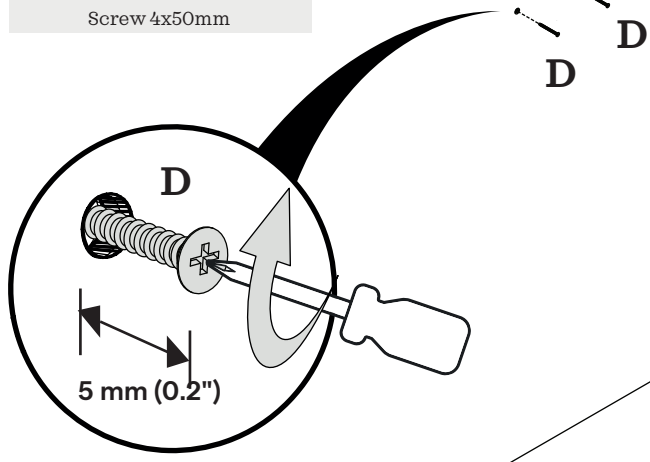
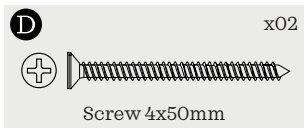
Consult template

Step 5



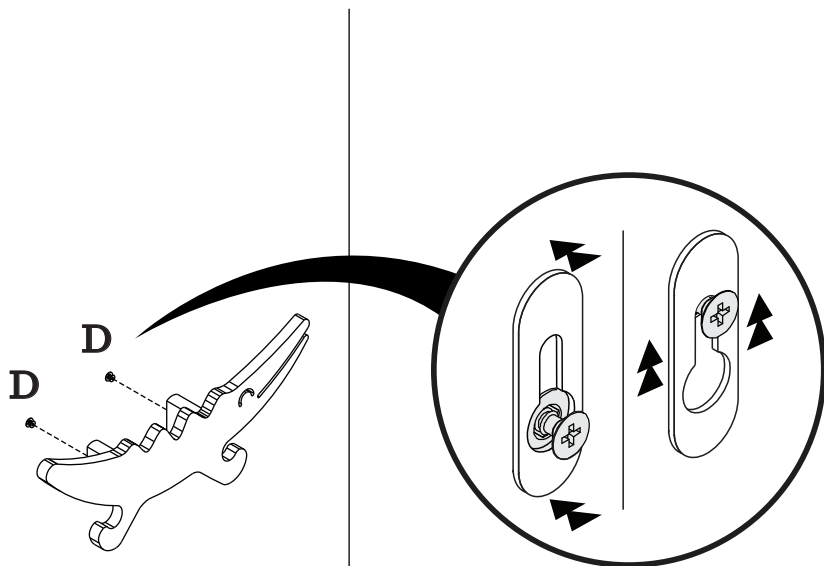
Insert the "C" anchors into the holes in the wall, using a hammer for a better fit.

Step 6



Using a Phillips screwdriver, tighten screws "D" into anchors "C", leaving approximately 5 mm (0.2") protruding from the wall.

Step 7



Fit the round openings on the back of the alligator onto the screw heads "D", then glide the alligator downward until it is held in place by the screws.

We're Here to Help!

Our product specialists are on hand to answer any questions, help you set up and use your Nestig products, and bring the nursery you imagine to life:

Email us at hello@nestig.com
www.nestig.com/support
Monday - Friday | 10am-5pm ET

Nous sommes là pour vous aider!

Nos spécialistes produits sont à votre disposition pour répondre à toutes vos questions, vous aider à installer et utiliser vos produits Nestig et donner vie à la chambre d'enfant que vous imaginez:

Contactez-nous au hello@nestig.com
www.nestig.com/support
Lundi - Vendredi | 10h-17h HE



nestig.com



Nestig, Inc.
hello@nestig.com
PO Box 1106, New York, NY 10023