

NESTiG

Arches Floating Shelf



Please read all instructions before assembly
and use of product!

Lisez toutes les instructions avant
d'assembler et d'utiliser le produit!

Welcome to the Nestig World!

Our Warranty

Our products come with a limited two year warranty! We do our best to ensure everything arrives in perfect shape, but if anything arrives damaged, missing, or defective, our Customer Experience team is here to help.

Just email us at hello@nestig.com and we'll be glad to assist!

For more information on our warranty, visit:

<https://www.nestig.com/pages/warranty-policy>

Bienvenue dans le monde de Nestig!

Notre Garantie

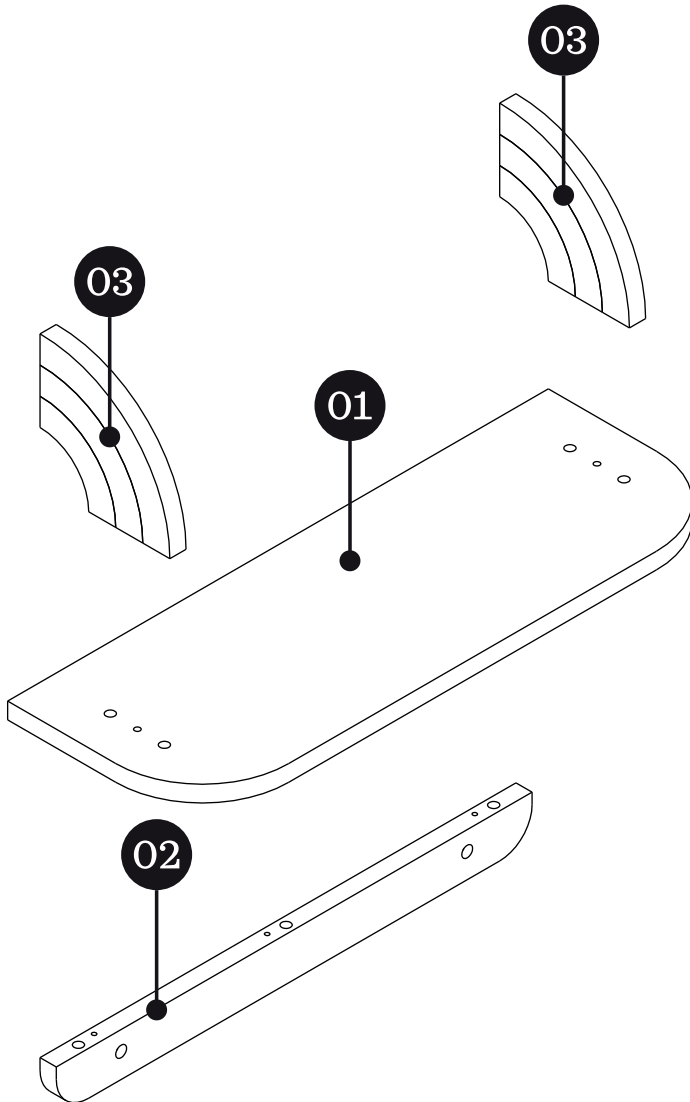
Nos produits sont accompagnés d'une garantie limitée de deux ans! Nous faisons de notre mieux pour que tout arrive forme parfaite, mais si quelque chose arrive endommagé, manquant ou défectueux, notre équipe Expérience Client est là pour vous aider.

Envoyez-nous un e-mail à hello@nestig.com et nous serons heureux de vous aider!

Pour plus d'informations sur notre garantie, visitez:

<https://www.nestig.com/pages/warranty-policy>

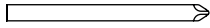
Product Parts Detail



ITEM	DESCRIPTION	QUANTITY
01	Shelf	01
02	Base	01
03	Side	02

Hardware List

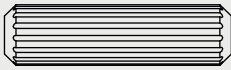
Not included: Phillips screwdriver, hammer, and drill



Phillips head screwdriver

A

x07



8x30mm dowel

B

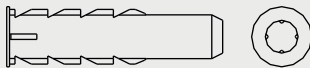
x05



3.5x30mm screw

C

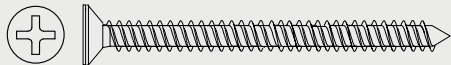
x02



8mm anchor

D

x02



4x50mm screw

E

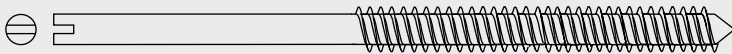
x02



10mm anchor

F

x02



6x90mm threaded bar

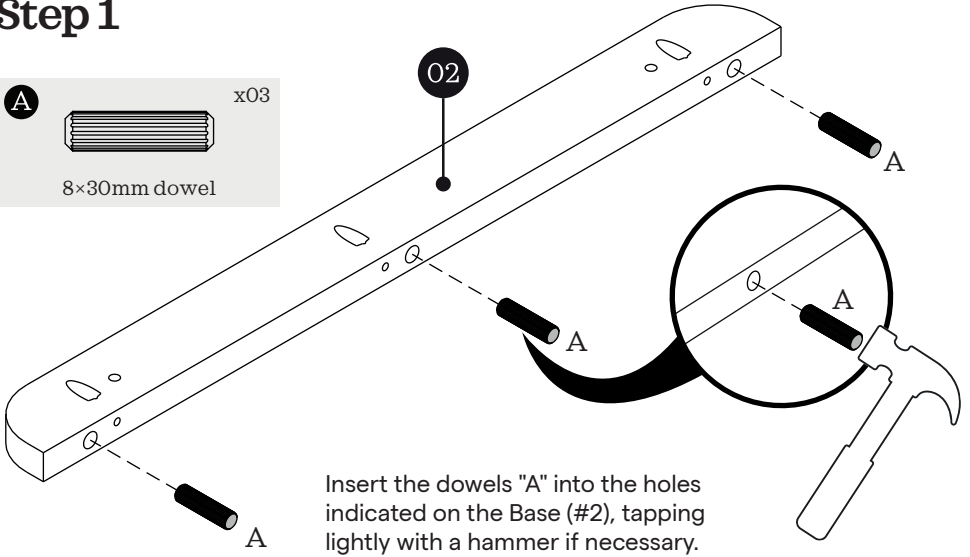
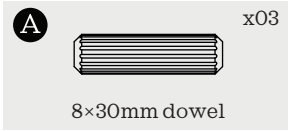
G

x02



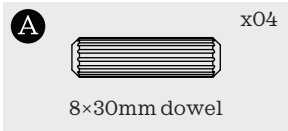
10mm hole cover

Step 1

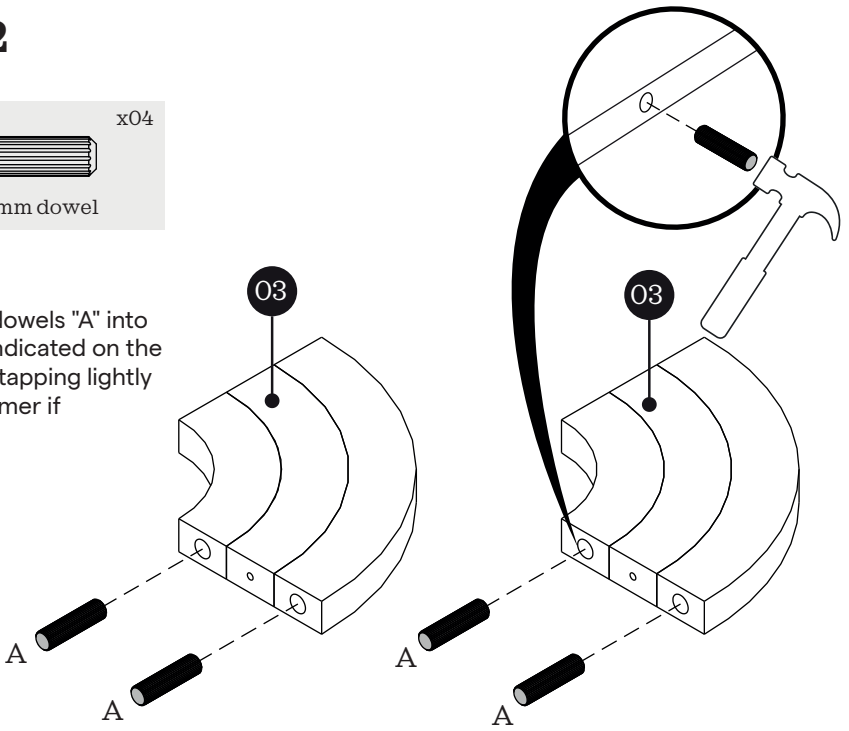


Insert the dowels "A" into the holes indicated on the Base (#2), tapping lightly with a hammer if necessary.

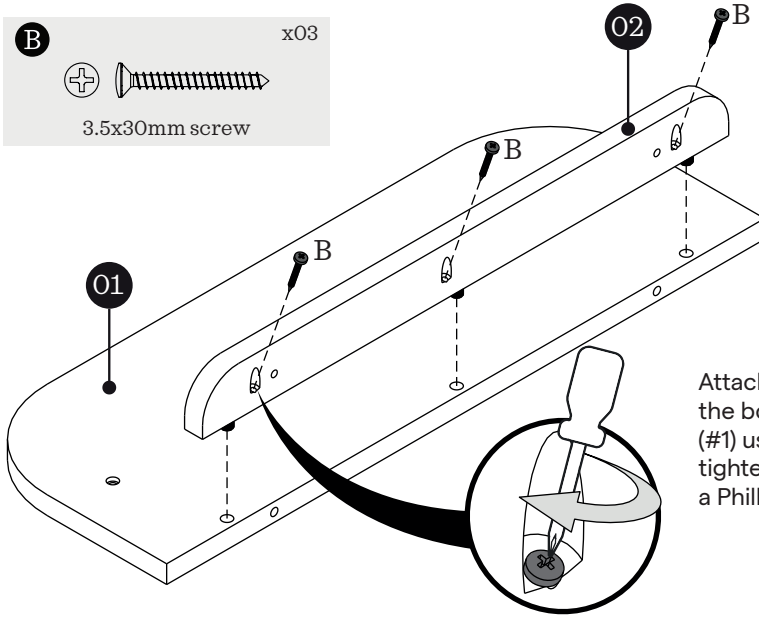
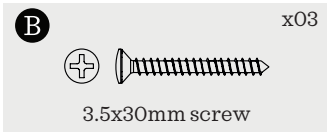
Step 2



Insert the dowels "A" into the holes indicated on the Sides (#3), tapping lightly with a hammer if necessary.

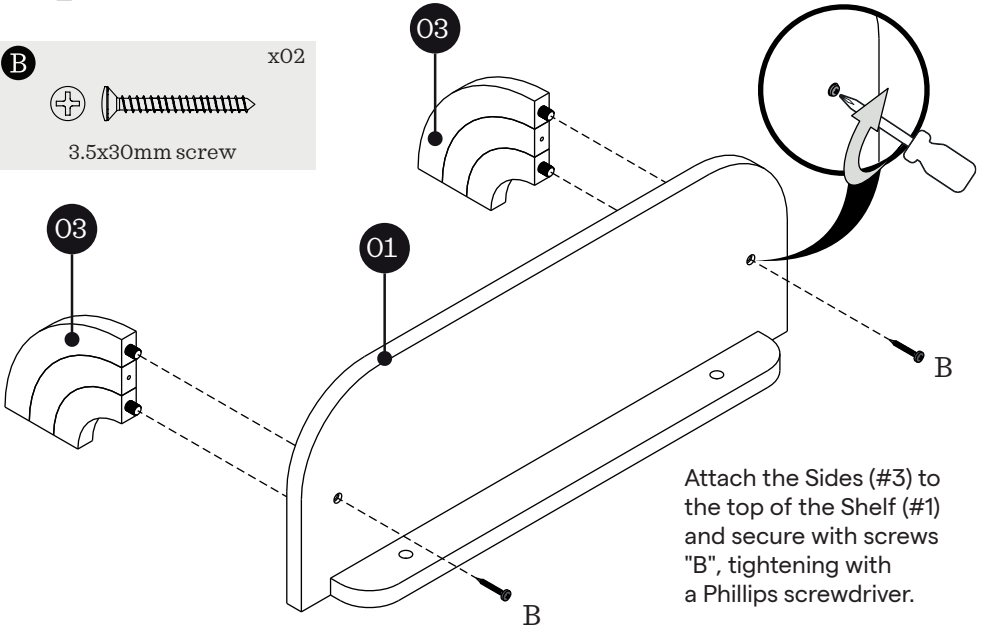
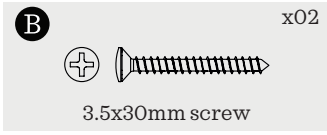


Step 3



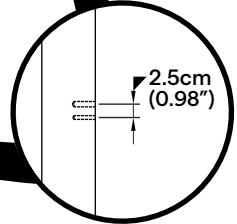
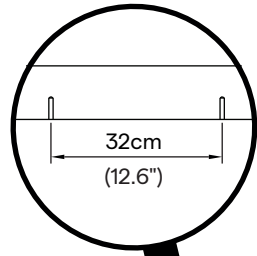
Attach the Base (#2) to the bottom of the Shelf (#1) using screws "B" and tightening clockwise with a Phillips screwdriver.

Step 4



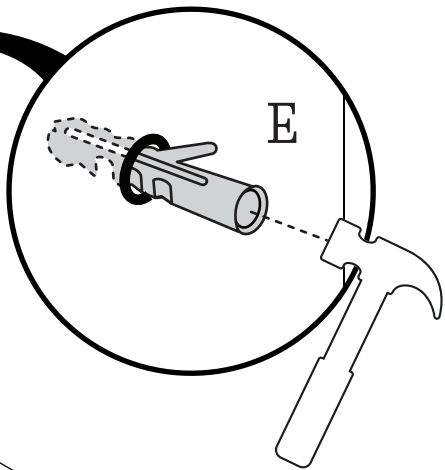
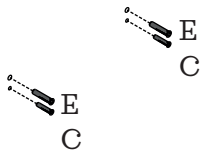
Attach the Sides (#3) to the top of the Shelf (#1) and secure with screws "B", tightening with a Phillips screwdriver.

Step 5

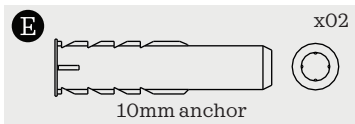
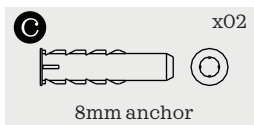


Position the included paper template on the wall at the desired height and drill corresponding holes where indicated.

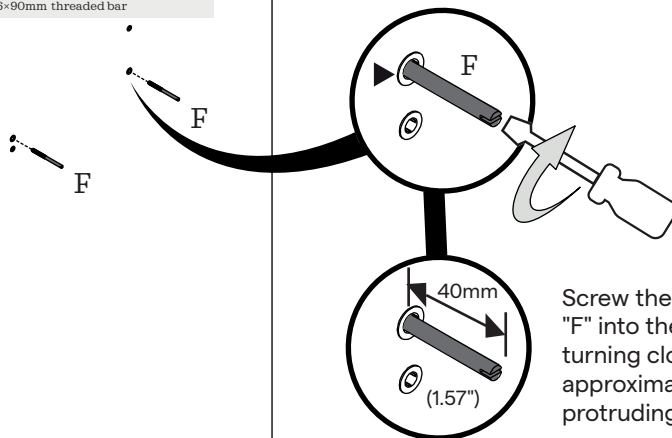
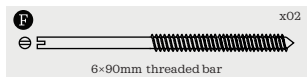
Step 6



Insert anchors "C" and "E" into the holes as indicated, using a hammer for a better fit.

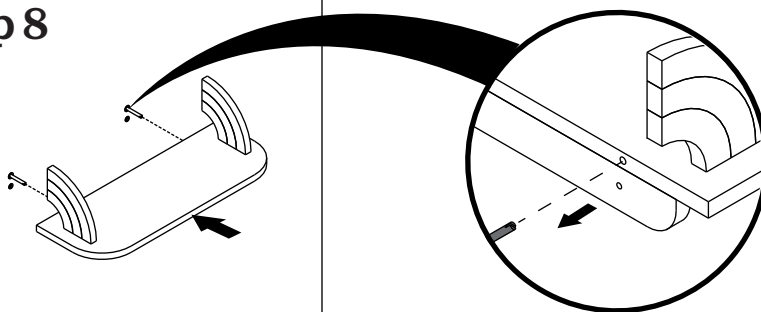


Step 7



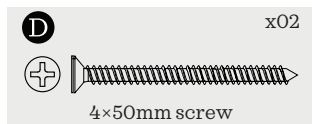
Screw the threaded bars "F" into the top anchors "E", turning clockwise. Leave approximately 40mm (1.57") protruding from the wall.

Step 8

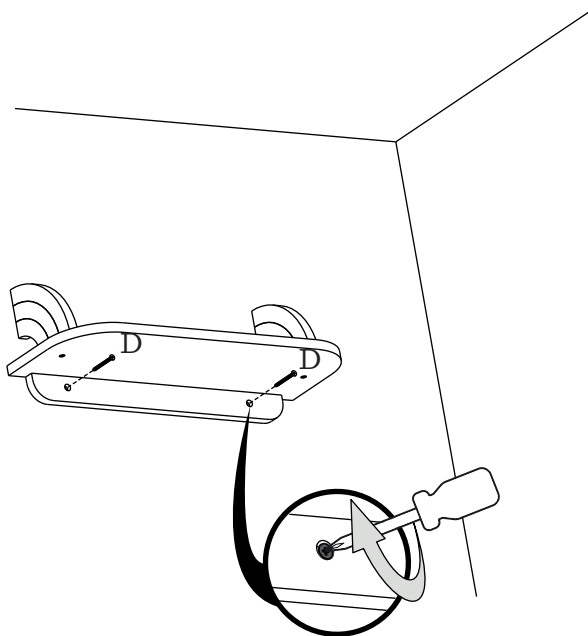


Insert the threaded bars "F" into the top holes on the shelf.

Step 9



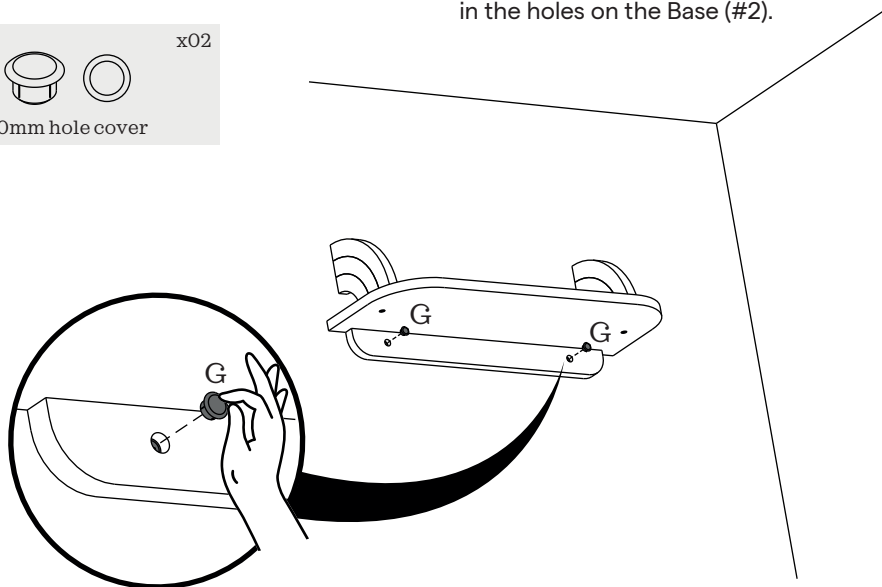
Secure the Base (#2) to the wall with screws "D" using a Philips screwdriver.



Step 10



Place the hole covers "G" in the holes on the Base (#2).



We're Here to Help!

Our product specialists are on hand to answer any questions, help you set up and use your Nestig products, and bring the nursery you imagine to life:

Email us at hello@nestig.com
www.nestig.com/support
Monday - Friday | 10am-5pm ET

Nous sommes là pour vous aider!

Nos spécialistes produits sont à votre disposition pour répondre à toutes vos questions, vous aider à installer et utiliser vos produits Nestig et donner vie à la chambre d'enfant que vous imaginez:

Contactez-nous au hello@nestig.com
www.nestig.com/support
Lundi - Vendredi | 10h-17h HE



nestig.com



Nestig, Inc.
hello@nestig.com
PO Box 1106, New York, NY 10023