

NESTiG

The Cloud Dresser



Please read all instructions before assembly
and use of product!

Lisez toutes les instructions avant
d'assembler et d'utiliser le produit!

Welcome to the Nestig World!

Our Warranty

Our products come with a limited two year warranty! We do our best to ensure everything arrives in perfect shape, but if anything arrives damaged, missing, or defective, our Customer Experience team is here to help.

Just email us at hello@nestig.com and we'll be glad to assist!

For more information on our warranty, visit:

<https://www.nestig.com/pages/warranty-policy>

Bienvenue dans le monde de Nestig!

Notre Garantie

Nos produits sont accompagnés d'une garantie limitée de deux ans! Nous faisons de notre mieux pour que tout arrive forme parfaite, mais si quelque chose arrive endommagé, manquant ou défectueux, notre équipe Expérience Client est là pour vous aider.

Envoyez-nous un e-mail à hello@nestig.com et nous serons heureux de vous aider!



Pour plus d'informations sur notre garantie, visitez:

<https://www.nestig.com/pages/warranty-policy>

WARNING: Failure to follow these warnings and instructions could result in serious injury or death.

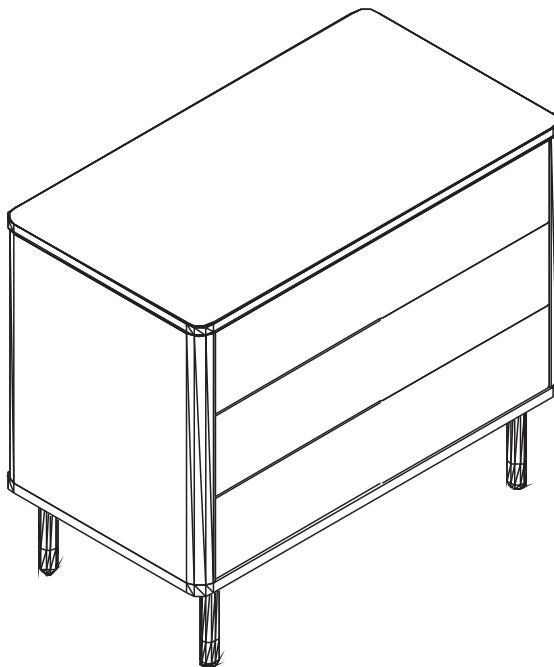
WARNINGS

- a) Do not place the product close to heating devices or open flame, since wood is flammable.
- b) Do not use the product if any piece is broken or missing. Only use spare parts sold and recommended by the manufacturer.
- c) Always secure this dresser to the wall, using the provided hardware. See individual instructions.
- d) Do not alter the item in any way or it may cause risks to the child.
- e) Do not use this product if you are unable to follow the accompanying instructions.
- f) Only use the product after it is fully assembled following these instructions and after checking that all locking systems are properly activated.
- g) The dresser should be placed on a flat, horizontal surface.
- h) Check this product for damaged hardware, loose joints, loose bolts of other fasteners, missing parts or sharp edges before and after assembly and frequently during use. Securely tighten loose bolts and other fasteners.**
- l) If any piece is broken or missing, contact the manufacturer and do not try to fix yourself.

 WARNING	
	<p>Serious or fatal crushing injuries can occur from furniture tip-over. To help prevent tip-over:</p> <ul style="list-style-type: none">- Install tipover restraint provided.- Place heaviest items in the lowest drawers.- Do not set TVs or other heavy objects on top of this product, unless the product is specifically designed to accommodate them.- Never allow children to climb or hang on drawers, doors, or shelves.- Never open more than one drawer at a time.
	
	<p>Use of tip-over restraints may only reduce, but not eliminate, the risk of tip-over</p> <p>This is a permanent label. Do not remove!</p>

NESTiG

www.nestig.com



General Overview

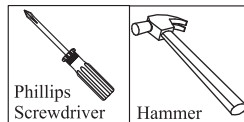
Recommended
for assembly



WARNING

Never open more than one
drawer at a time for maximum
product stability.

Tools Needed
(not included)



- 1- Thoroughly read all instructions before starting assembly
- 2- The item should be assembled on a clean, flat surface. The item's packaging can be used to protect the floor as well as the item from any damage during assembly.
- 3- **A periodic check should be made of all screws followed by tightening, if needed.**
- 4- Do not exceed the maximum weight indicated on the last page.

Cleaning

- 1- Clean with damp, soft rag followed by a dry, soft rag.
- 2- Do not use abrasive chemicals for cleaning.

NESTiG

www.nestig.com

Product Parts

① Top Panel (1x)

② Base (1x)

③ Right Panel (1x)

④ Left Panel (1x)

⑤ Back Panel (2x)

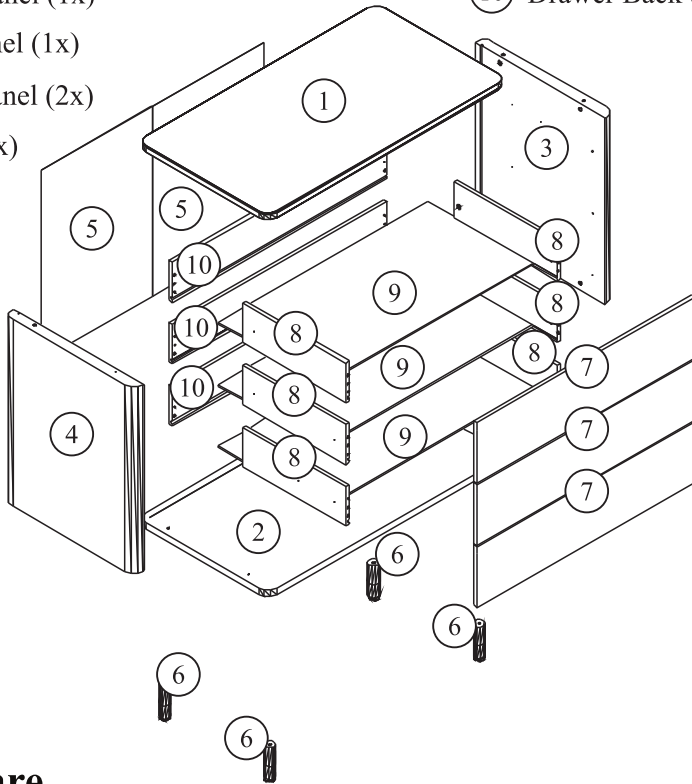
⑥ Legs (4x)

⑦ Drawer Front (3x)


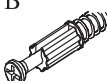








⑧ Drawer Side (6x)

⑨ Drawer Base (3x)

⑩ Drawer Back (3x)



Hardware

<p>A 20X</p>  <p>Cam Lock Nut</p>	<p>B 20X</p>  <p>Cam Lock Bolt</p>	<p>C 38X</p>  <p>Phillips Head Bolt Ø4x14</p>	<p>D 24X</p>  <p>Dowel Ø8X30</p>	<p>E 6X</p>  <p>Wood Handle</p>	<p>F 38X</p>  <p>Back Lock</p>
<p>G Topview</p> 	<p>Sideview 1X</p>  <p>Connector</p>	<p>H 6X</p>  <p>Phillips Head Bolt Ø4.2X32</p>	<p>I 20X</p>  <p>Sticker Ø18</p>		

PIECE G NOT DRAWN TO SCALE

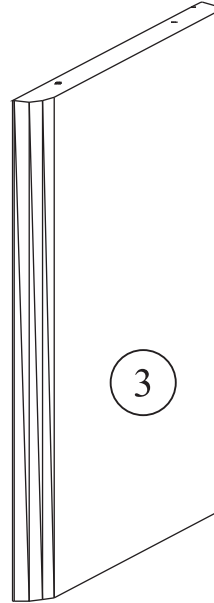
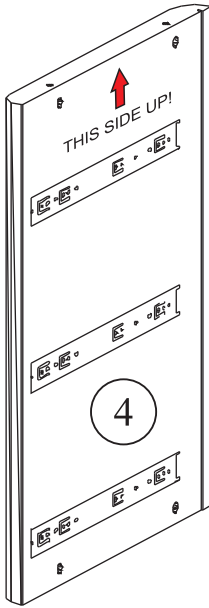
Long plastic piece

1 Pre-Assembly

Drawer Slides

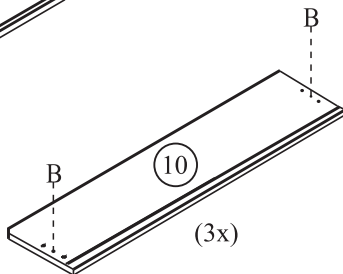
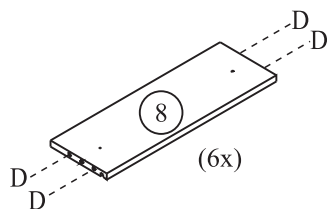
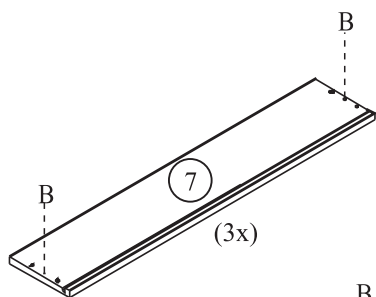
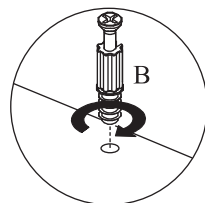
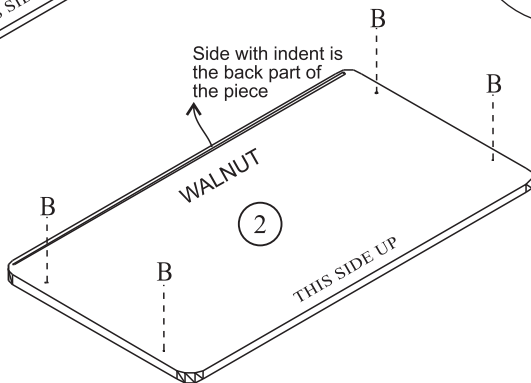
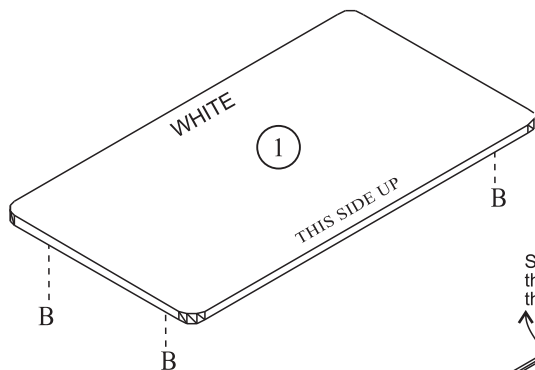
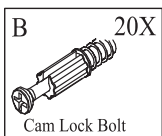
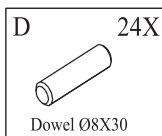
WARNING

Drawer slides have been installed on both the right panel (piece 3) and left panel (piece 4) for easy assembly

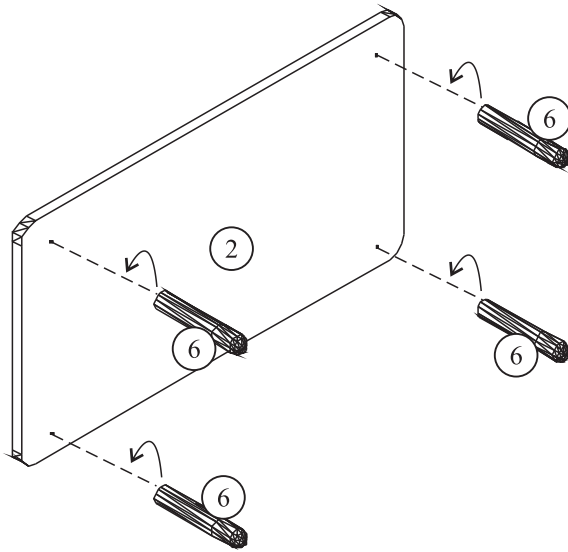


INSTRUCTIONS FOR INSTALLING
THE DRAWERS CAN BE FOUND
ON PAGES 10 AND 11

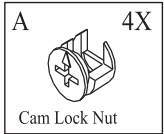
2 Pre-Assembly



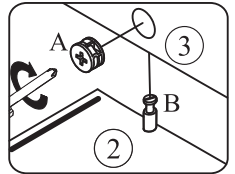
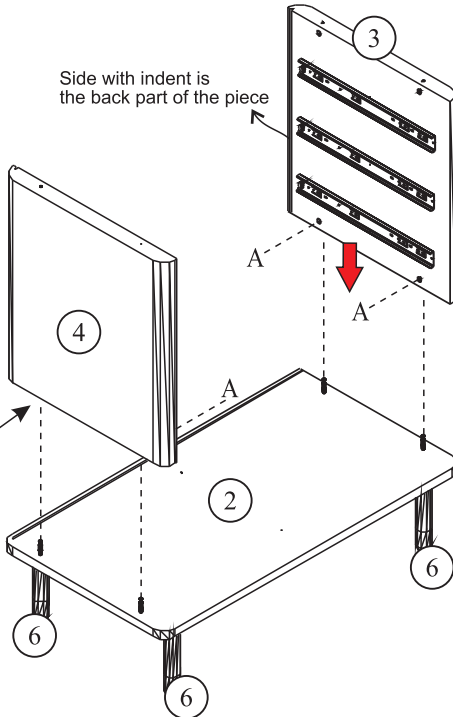
1 Assembly



2 Assembly

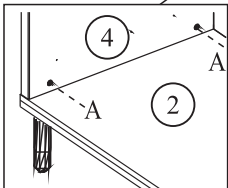


Side with indent is the back part of the piece



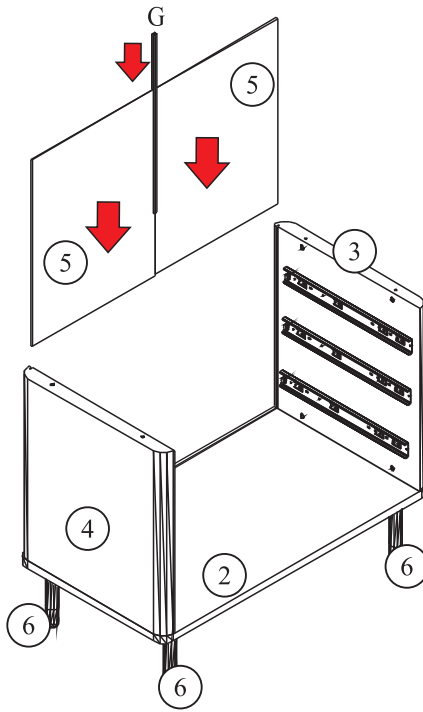
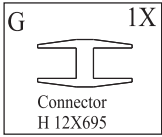
INSTALLATION CLOSE-UP

INSTALLATION CLOSE-UP

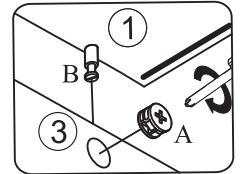
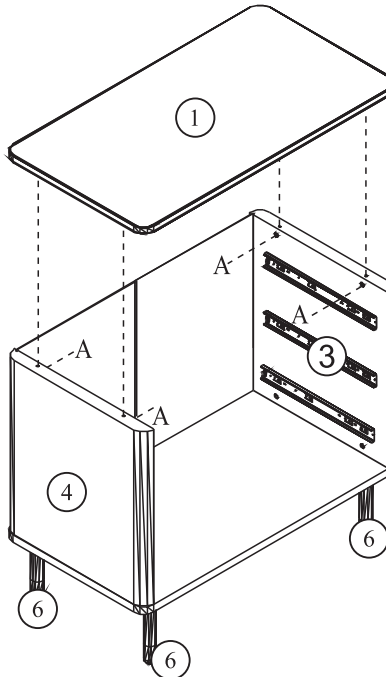
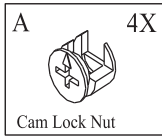


Using a Phillips screwdriver, further secure both left and right panels (03 and 04) to the base (02) by turning the cam lock nuts "A" clockwise until tightened. Be sure that the arrows on each cam lock nut "A" end pointing away from piece 02.

3 Assembly



4 Assembly



INSTALLATION CLOSE-UP

Using a Phillips screwdriver, further secure the top panel (01) to both left and right panels (03 and 04) by turning the cam lock nuts "A" clockwise until tightened. Be sure that the arrows on each cam lock nut "A" end pointing away from piece 01.

5 Drawer Assembly

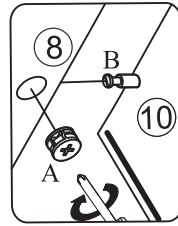
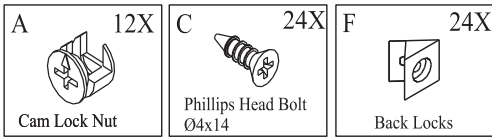
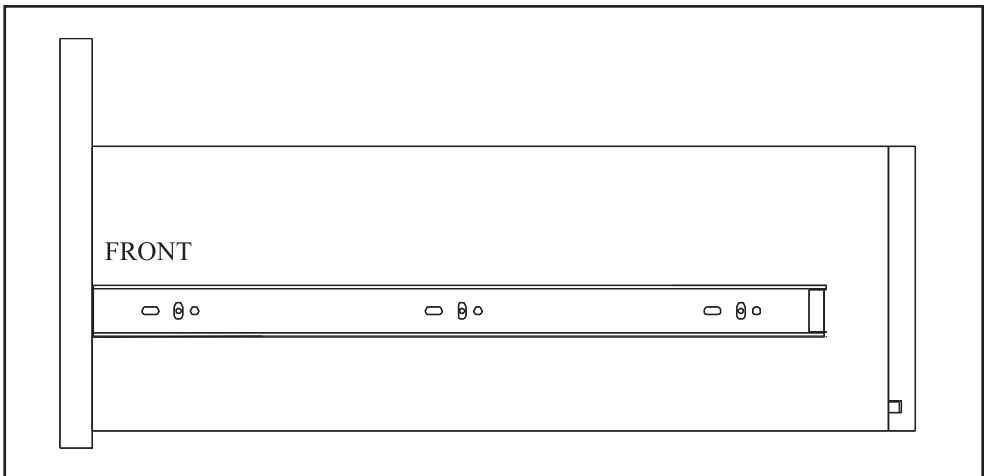
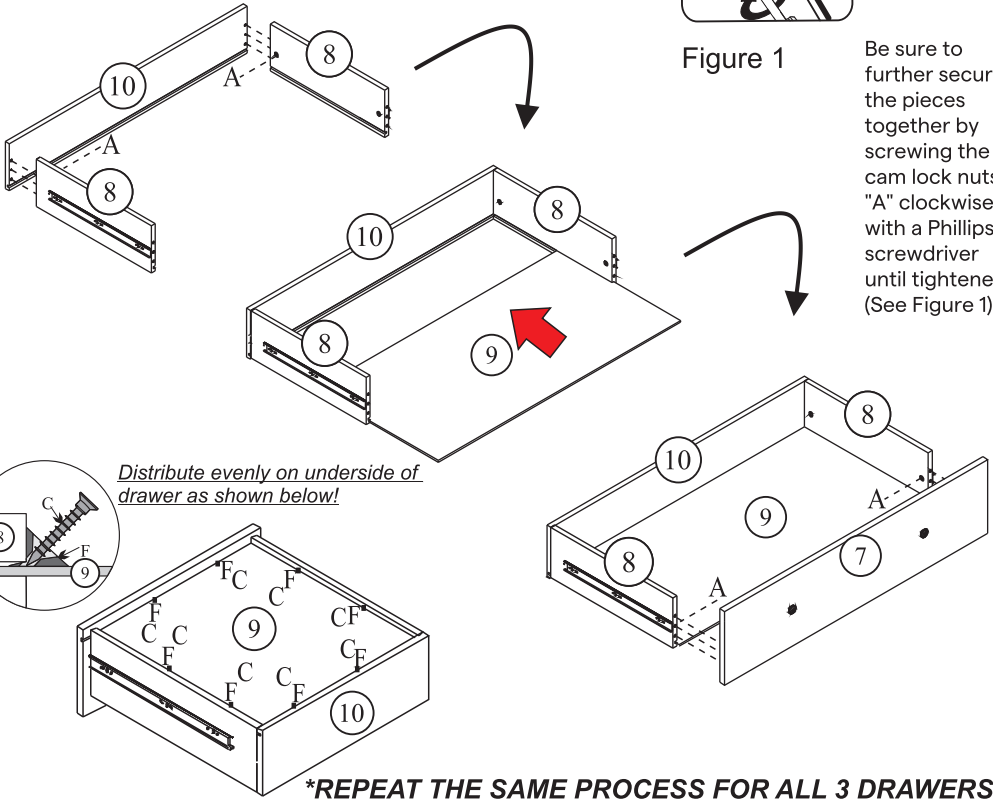
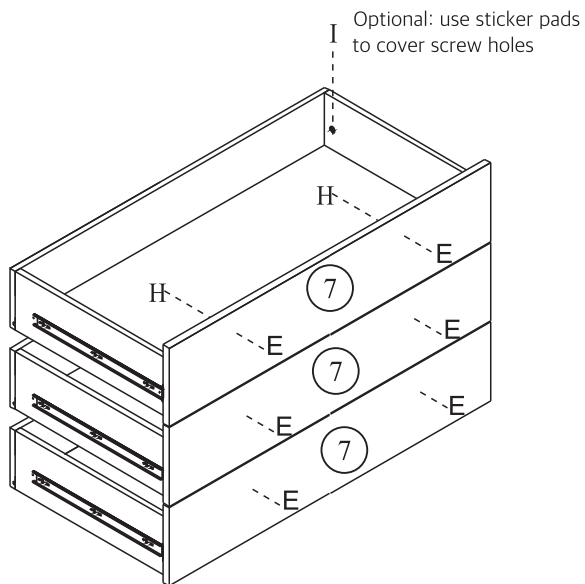


Figure 1

Be sure to further secure the pieces together by screwing the cam lock nuts "A" clockwise with a Phillips screwdriver until tightened. (See Figure 1)



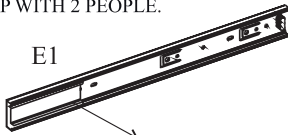
6 Drawer Pull Assembly



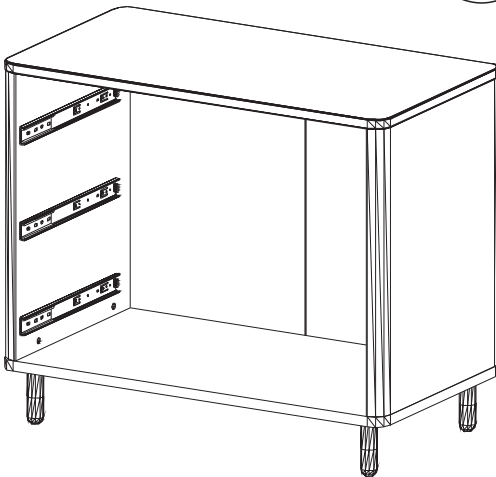
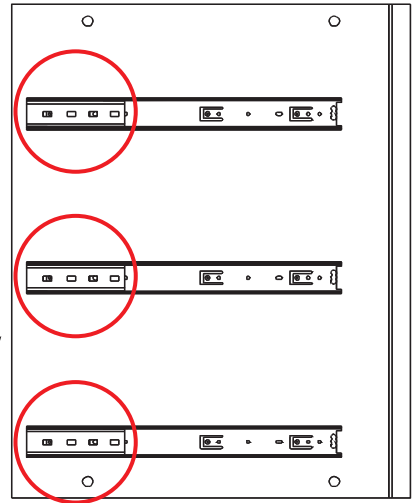
7 Drawer Pull Assembly

ATTENTION

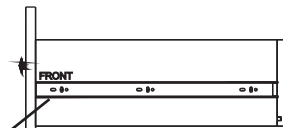
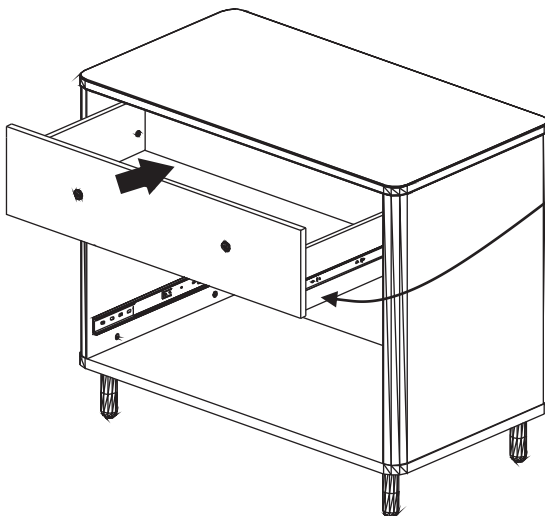
BEFORE INSERTING THE DRAWER IN THE DRESSER, PULL THE SLIDER GUIDE FORWARD (LOCATED ON THE PIECE ATTACHED TO THE DRESSER INTERIOR). TO ENSURE PROPER ALIGNMENT WE RECOMMEND COMPLETING THIS STEP WITH 2 PEOPLE.



PULL SLIDER GUIDE FORWARD

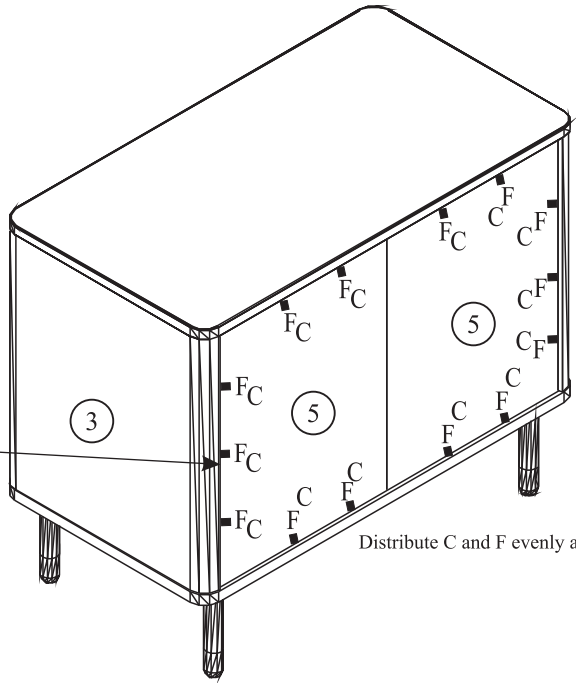
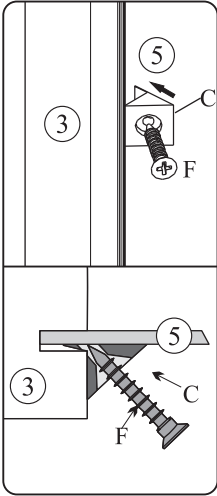
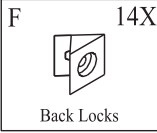


- To avoid causing damage to the drawer slides, we recommend 2 people assemble the drawers, one on each side.



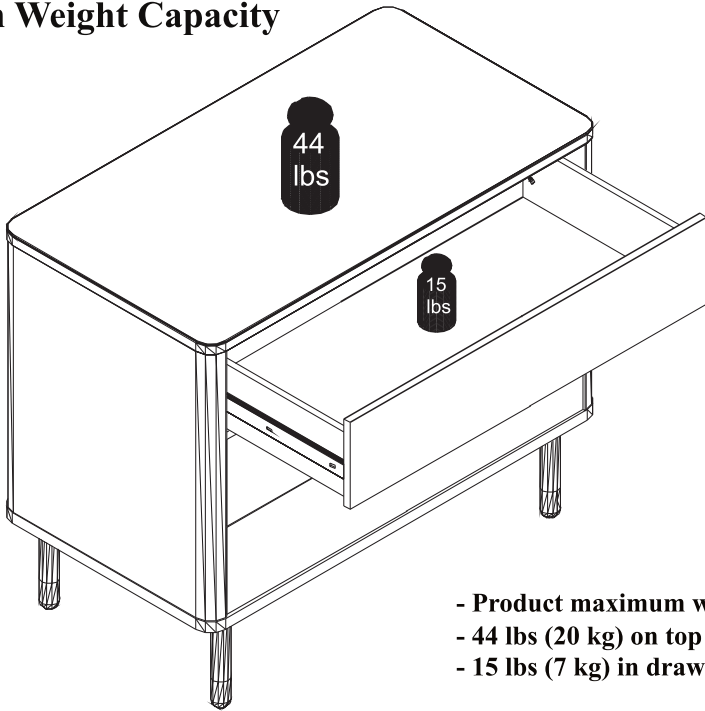
- Fit the two ends of the rail guides located on the side of the drawers into the rails on the inside of the drawer frame at the same time.
- Slide the drawer into the cabinet until you hear the latch click
- Slide the drawer in and out to ensure the drawer is secure and glides smoothly.

8 Assembly



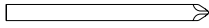
Distribute C and F evenly as desired

Maximum Weight Capacity



- Product maximum weight capacity:
- 44 lbs (20 kg) on top of dresser
- 15 lbs (7 kg) in drawers

Not included: Phillips head screwdriver and drill

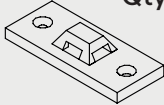


Phillips head screwdriver

Hardware list

J

Qty. 02



Anti-tipping panel

K

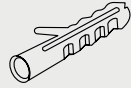
Qty. 01



Anti-tipping fastener

L

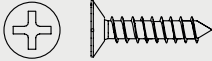
Qty. 02



Molly 6mm

M

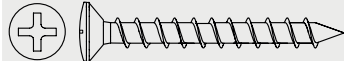
Qty. 02



Anti-tipping 4x14mm screw

N

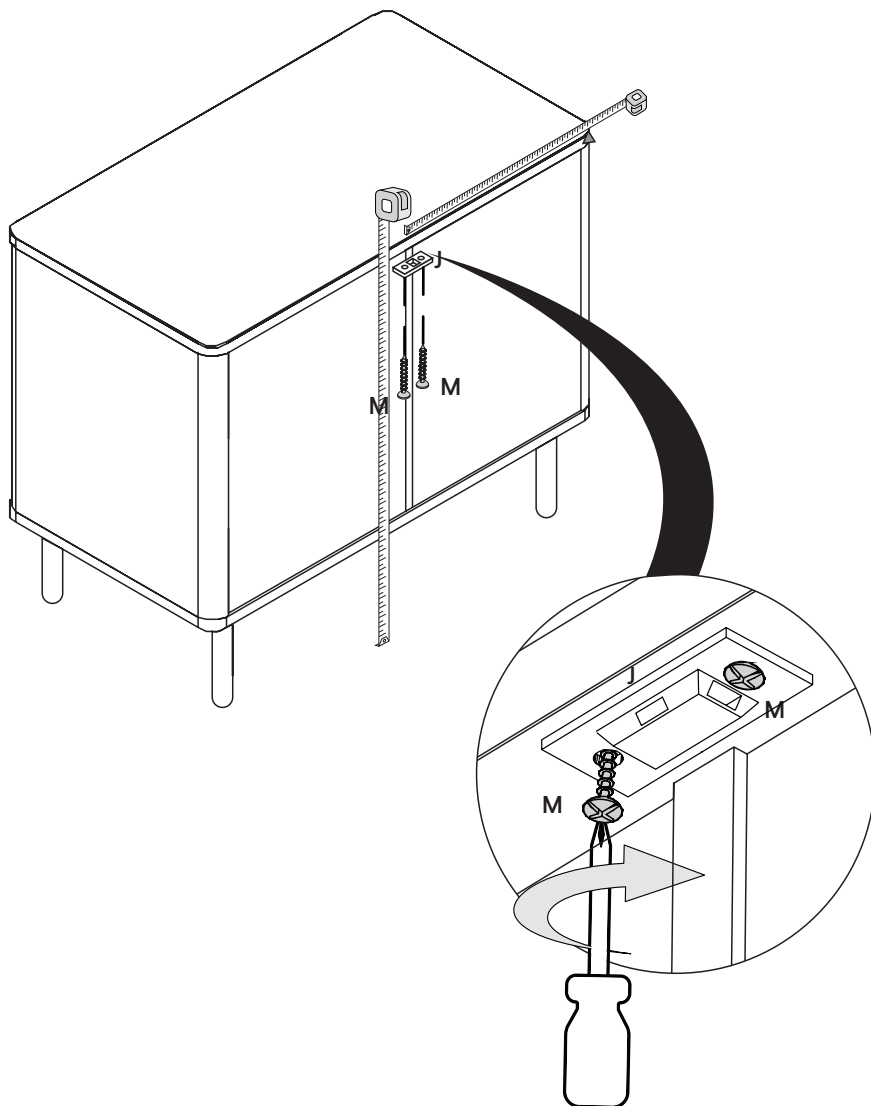
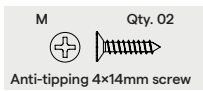
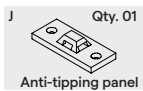
Qty. 02



Anti-tipping 4x30mm screw

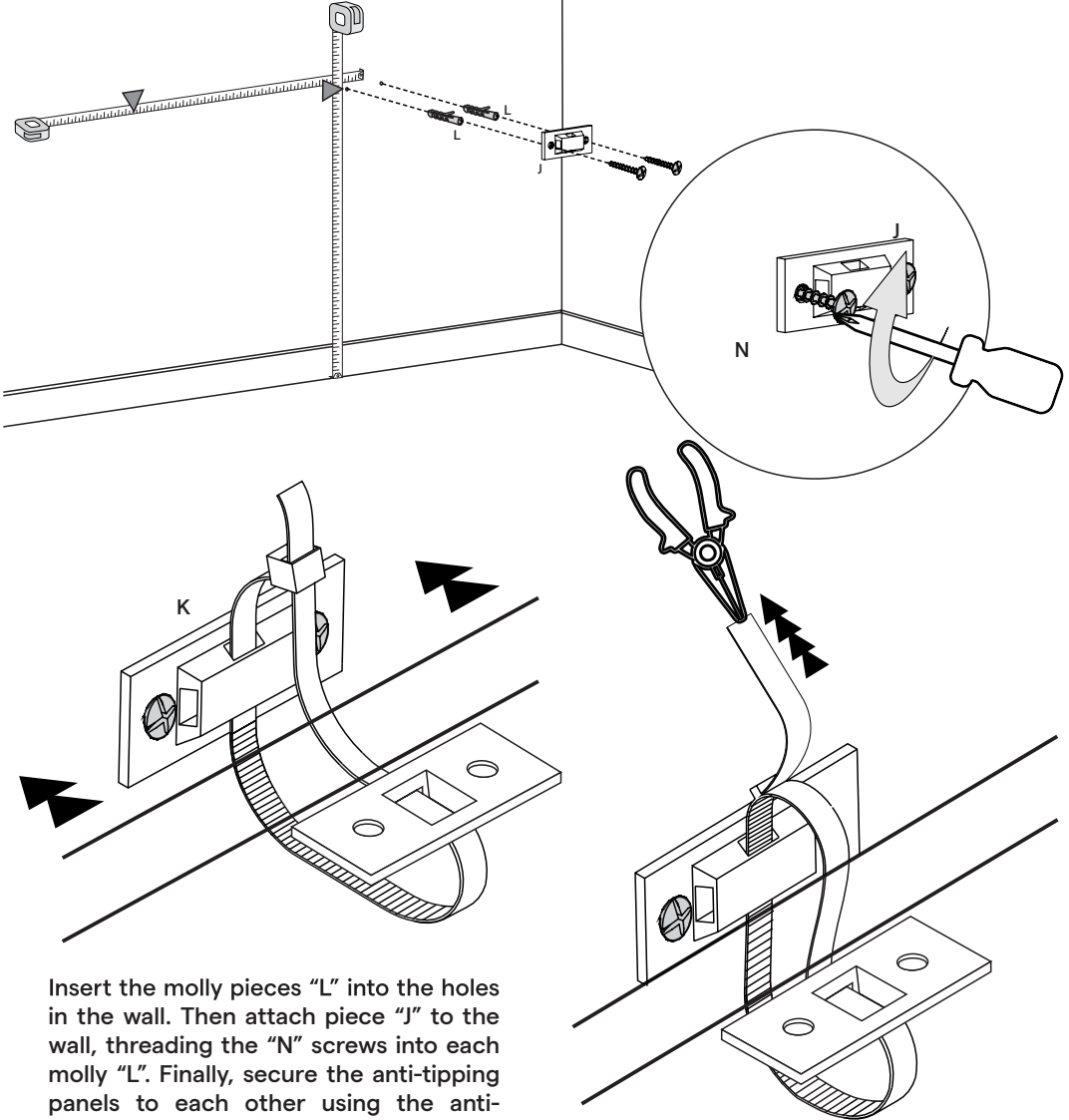
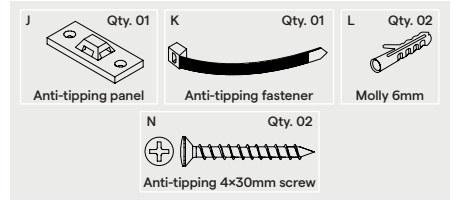
STEP 01

Attach the anti-tipping panel "J" using screws "M" as shown in the image below.



STEP 02

Position the second anti-tipping panel "J" onto a wall at the same height as the anti-tipping panel piece "J" attached to the shelf. Use a drill to create holes in the wall corresponding to the holes in the piece.



Insert the molly pieces "L" into the holes in the wall. Then attach piece "J" to the wall, threading the "N" screws into each molly "L". Finally, secure the anti-tipping panels to each other using the anti-tipping fastener "K".

We're Here to Help!

Our product specialists are on hand to answer any questions, help you set up and use your Nestig products, and bring the nursery you imagine to life:

Email us at hello@nestig.com
www.nestig.com/support
Monday - Friday | 10am-5pm ET

Nous sommes là pour vous aider!

Nos spécialistes produits sont à votre disposition pour répondre à toutes vos questions, vous aider à installer et utiliser vos produits Nestig et donner vie à la chambre d'enfant que vous imaginez:

Contactez-nous au hello@nestig.com
www.nestig.com/support
Lundi - Vendredi | 10h-17h HE



nestig.com



Nestig, Inc.
hello@nestig.com
PO Box 1106, New York, NY 10023