



NESTiG

How to Assemble the Cloud Side Table



nestig.com

—
Nestig, Inc.
hello@nestig.com
PO Box 1106, New York, NY 10023

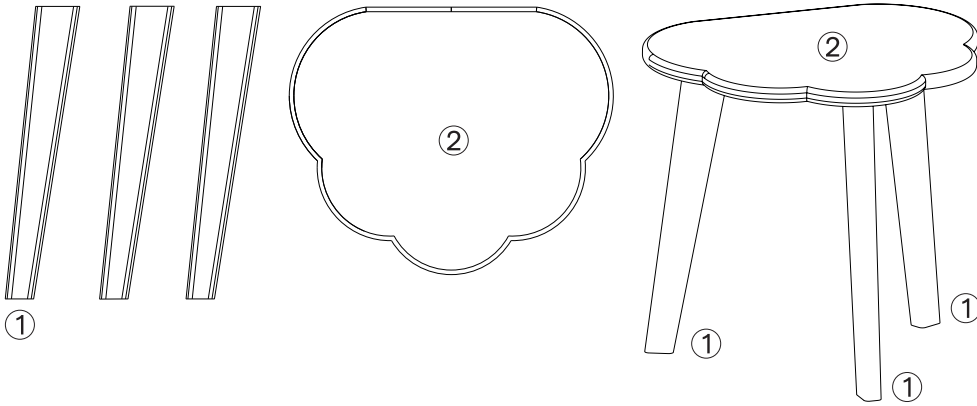
Please read all instructions before assembly
and use of product!

Lisez toutes les instructions avant
d'assembler et d'utiliser le produit!

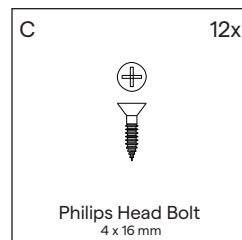
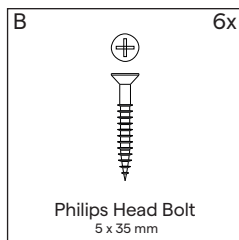
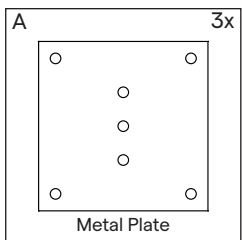


Product Parts

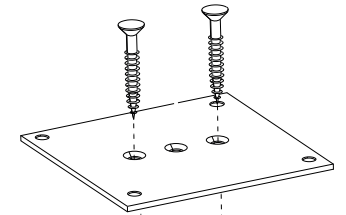
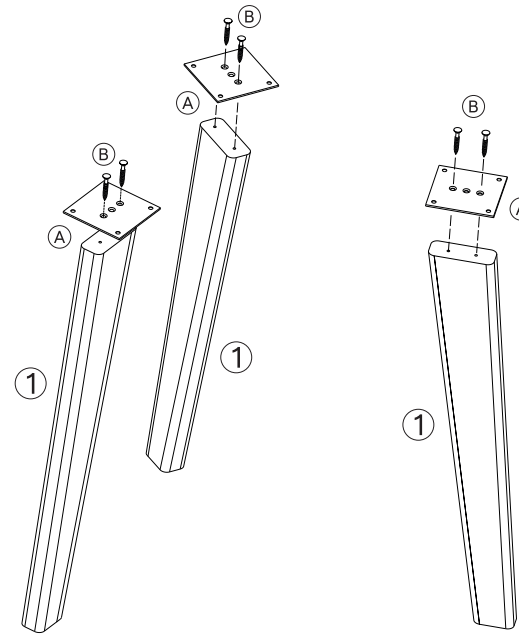
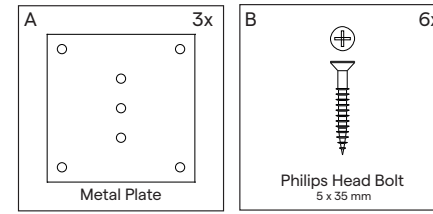
- ① Legs 3x
- ② Table Top



Hardware

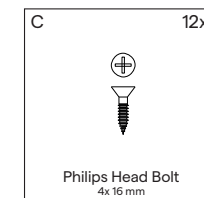


① Assembly



Attention! When attaching the metal plate to the legs be sure that the indented side faces up so that the screws will be properly flush with the plate.

② Assembly



Attention! Use the pre-drilled holes as a guide to attach the base.

