

NESTiG

Costa Wall Tree



Please read all instructions before assembly
and use of product!

Lisez toutes les instructions avant
d'assembler et d'utiliser le produit!

Welcome to the Nestig World!

Our Warranty

Our products come with a limited two year warranty! We do our best to ensure everything arrives in perfect shape, but if anything arrives damaged, missing, or defective, our Customer Experience team is here to help.

Just email us at hello@nestig.com and we'll be glad to assist!

For more information on our warranty, visit:

<https://www.nestig.com/pages/warranty-policy>

Bienvenue dans le monde de Nestig!

Notre Garantie

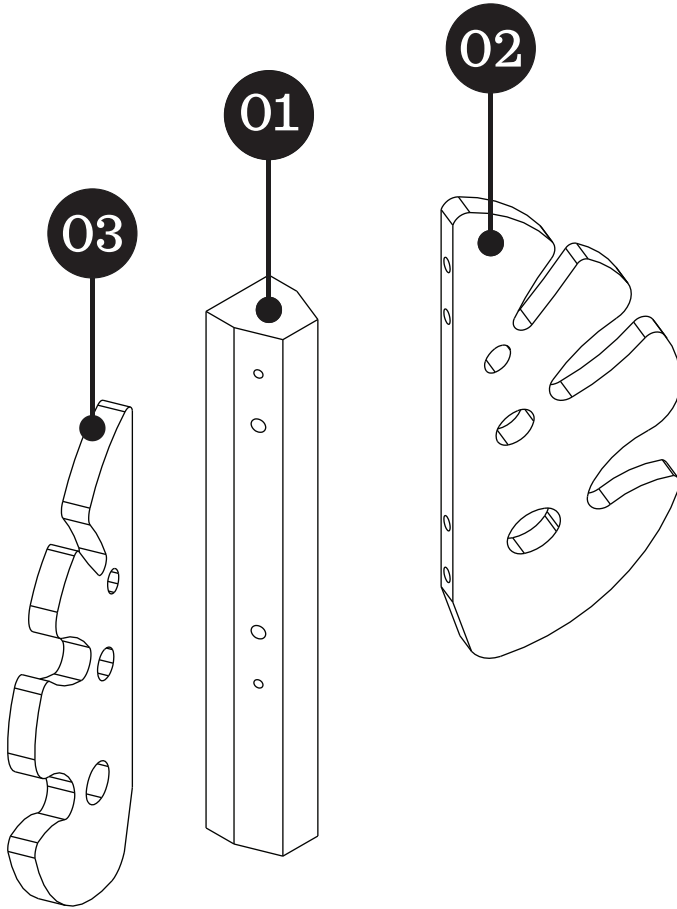
Nos produits sont accompagnés d'une garantie limitée de deux ans! Nous faisons de notre mieux pour que tout arrive forme parfaite, mais si quelque chose arrive endommagé, manquant ou défectueux, notre équipe Expérience Client est là pour vous aider.

Envoyez-nous un e-mail à hello@nestig.com et nous serons heureux de vous aider!

Pour plus d'informations sur notre garantie, visitez:

<https://www.nestig.com/pages/warranty-policy>

Product Parts Detail



ITEM	DESCRIPTION	QUANTITY
01	Support	01
02	Right Hook	02
03	Left Hook	03

Hardware List

Not included: Phillips screwdriver, hammer, and drill



Phillips head screwdriver

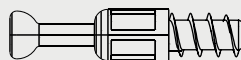
A



x04

Dowel 8x30mm

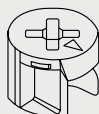
B



x04

Cam lock bolt

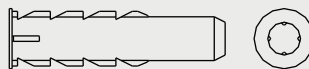
C



x04

Cam lock nut 12mm

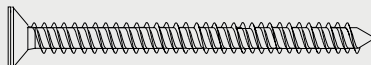
D



x02

Anchor 8mm

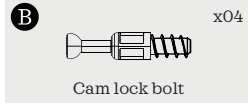
E



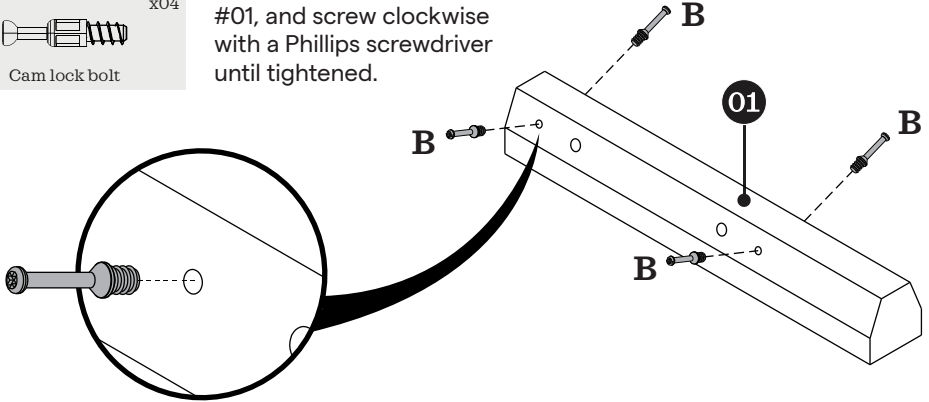
x02

Screw 4x50mm

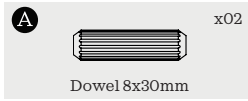
Step 1



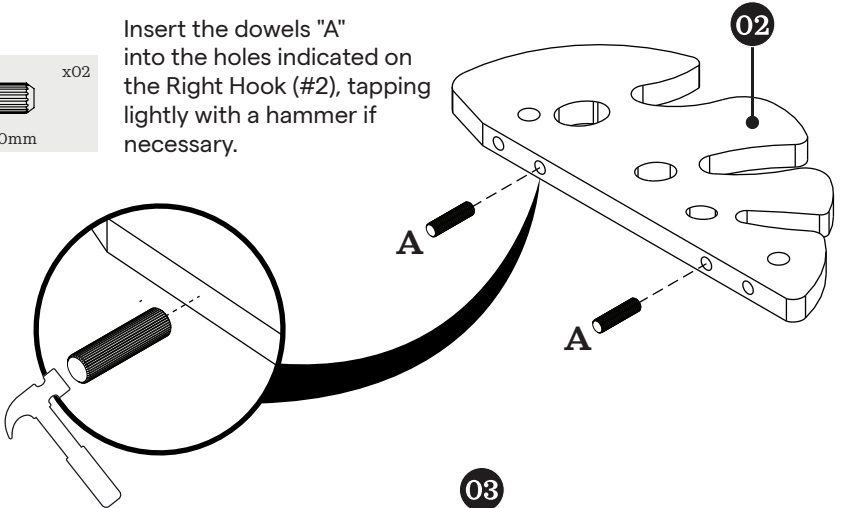
Insert cam lock bolts "B" into the holes indicated on part #01, and screw clockwise with a Phillips screwdriver until tightened.



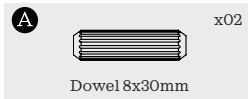
Step 2



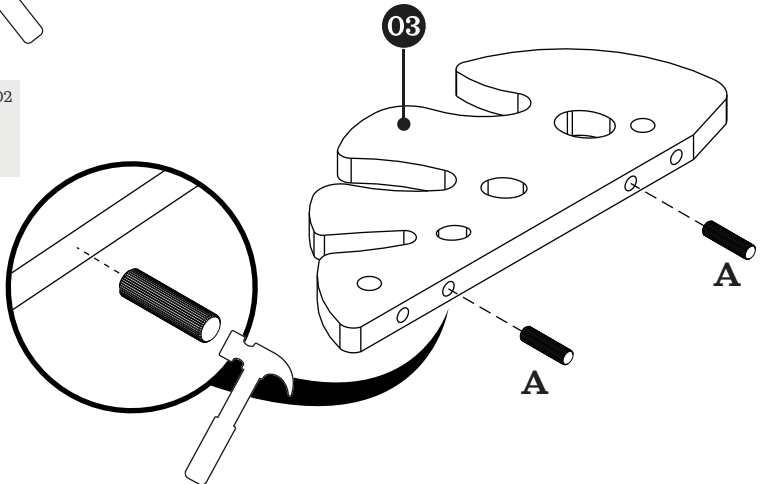
Insert the dowels "A" into the holes indicated on the Right Hook (#2), tapping lightly with a hammer if necessary.



Step 3



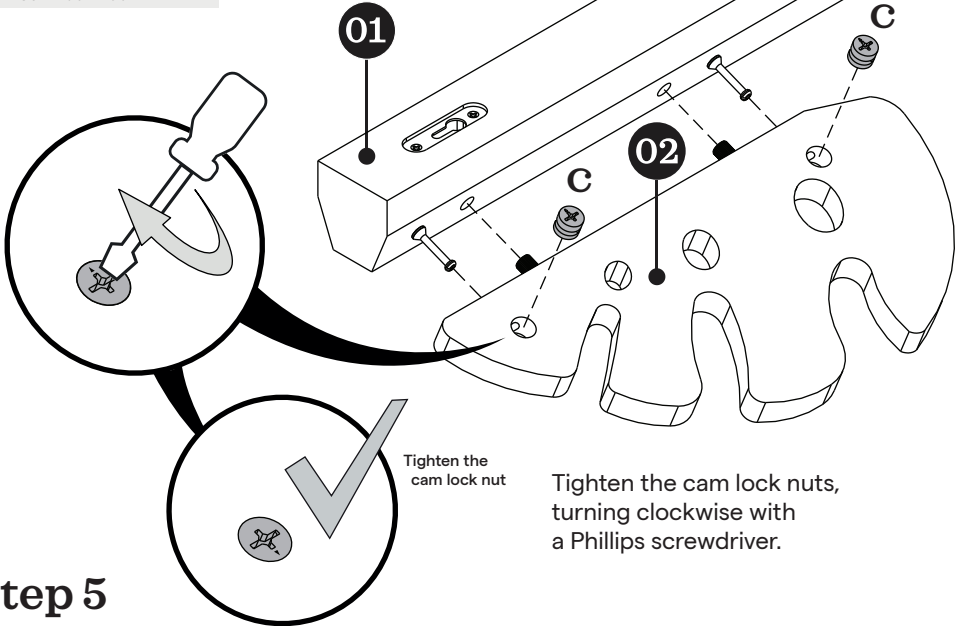
Insert the dowels "A" into the holes indicated on the Left Hook (#3), tapping lightly with a hammer if necessary.



Step 4



Thread piece #2 onto piece #1. Next, insert the cam lock nuts "C" into the holes on piece #2, ensuring that the arrows on "C" point towards piece #1.

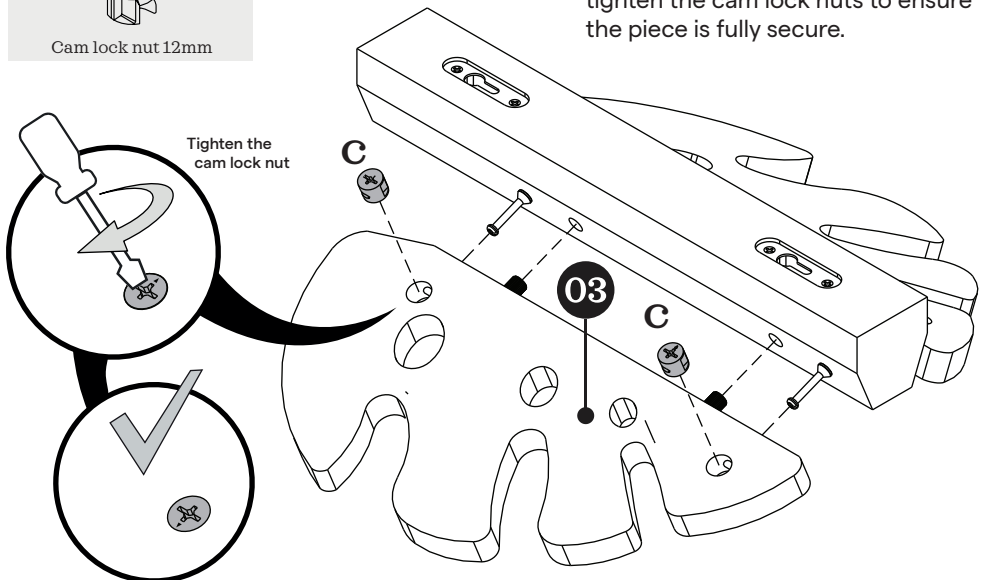


Tighten the cam lock nuts, turning clockwise with a Phillips screwdriver.

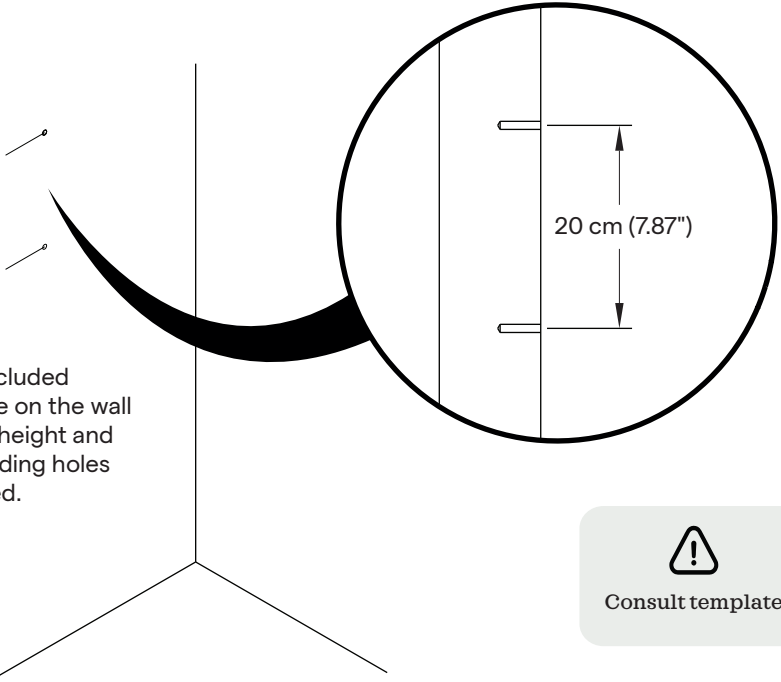
Step 5



Repeat step 4, this time attaching piece #3 to piece #1. Be sure to tighten the cam lock nuts to ensure the piece is fully secure.



Step 6

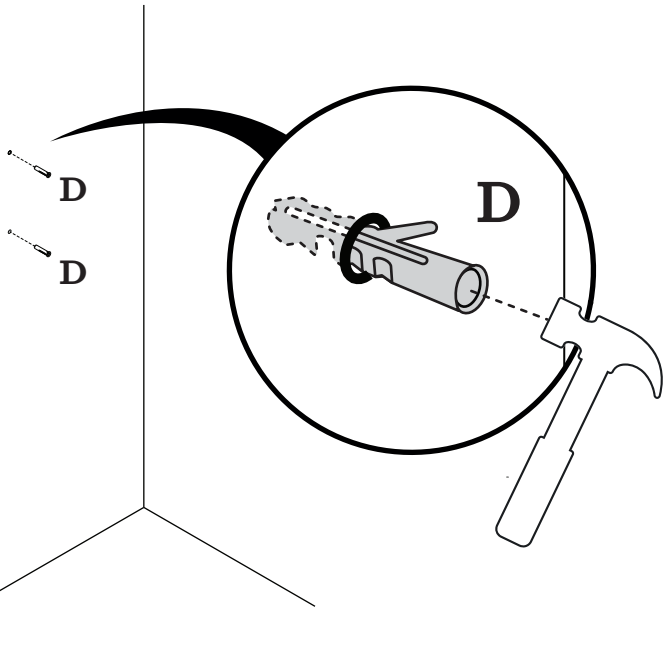
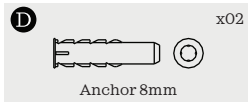


Position the included paper template on the wall at the desired height and drill corresponding holes where indicated.



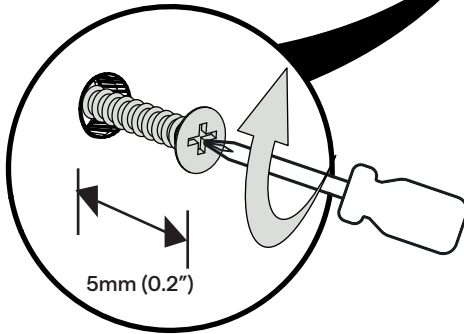
Consult template

Step 7



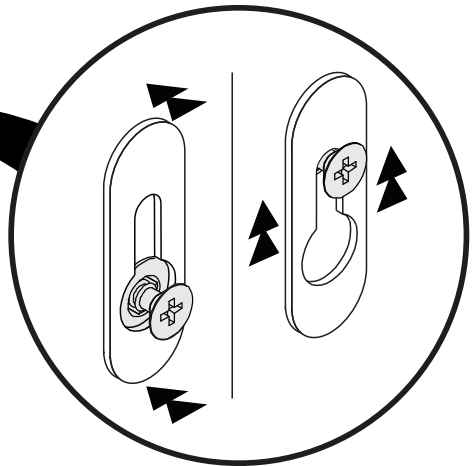
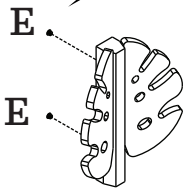
Insert the "D" anchors into the holes in the wall, using a hammer for a better fit.

Step 8



Using a Phillips screwdriver, tighten screws "E" into anchors "D", leaving approximately 5mm (0.2") protruding from the wall.

Step 9



Fit the round openings on the back of the leaf onto the screw heads "E", then glide the leaf downward until it is held in place by the screws.

We're Here to Help!

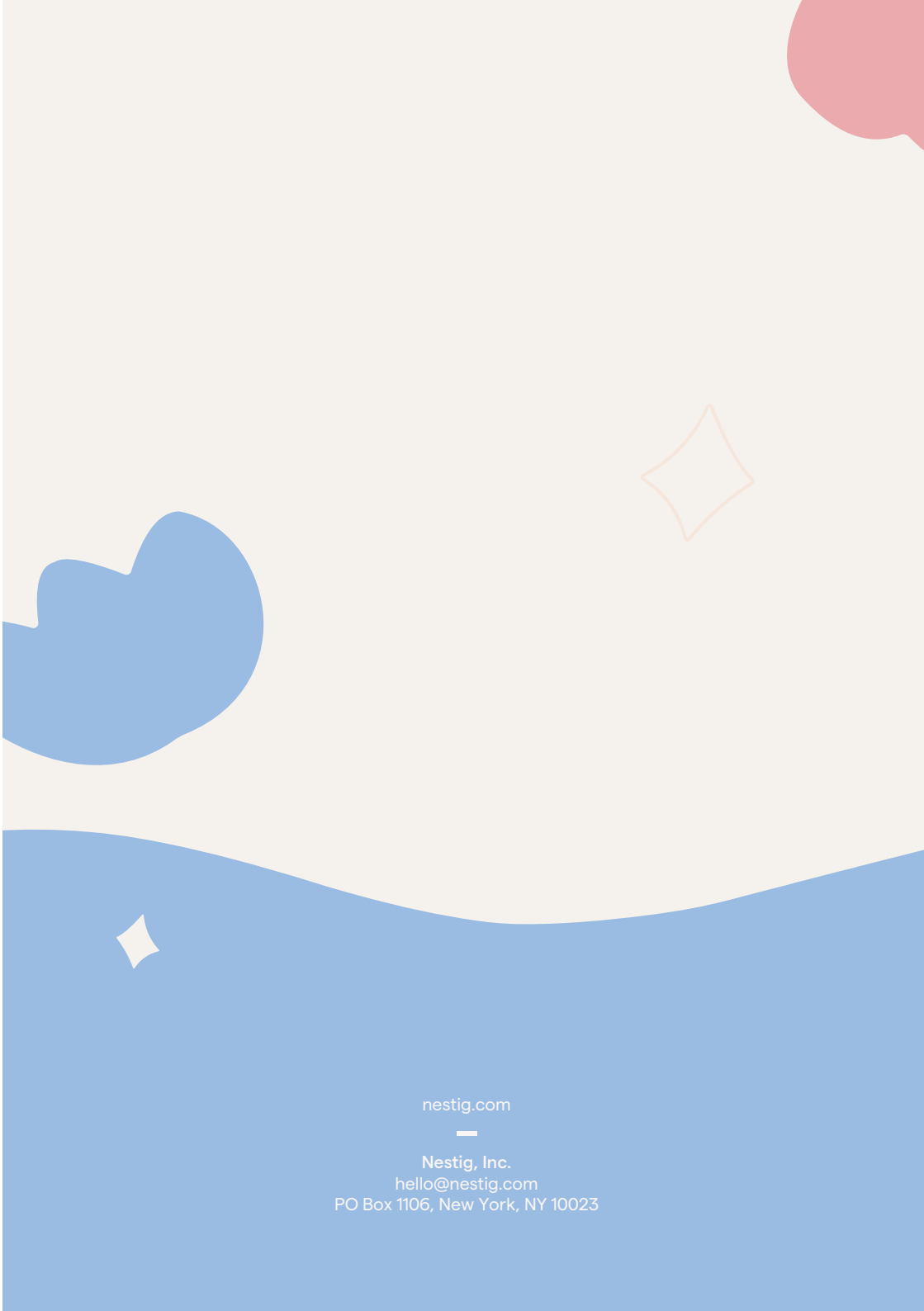
Our product specialists are on hand to answer any questions, help you set up and use your Nestig products, and bring the nursery you imagine to life:

Email us at hello@nestig.com
www.nestig.com/support
Monday - Friday | 10am-5pm ET

Nous sommes là pour vous aider!

Nos spécialistes produits sont à votre disposition pour répondre à toutes vos questions, vous aider à installer et utiliser vos produits Nestig et donner vie à la chambre d'enfant que vous imaginez:

Contactez-nous au hello@nestig.com
www.nestig.com/support
Lundi - Vendredi | 10h-17h HE



nestig.com



Nestig, Inc.
hello@nestig.com
PO Box 1106, New York, NY 10023