

NESTiG

Cove Floating Shelf



Please read all instructions before assembly
and use of product!

Lisez toutes les instructions avant
d'assembler et d'utiliser le produit!

Welcome to the Nestig World!

Our Warranty

Our products come with a limited two year warranty! We do our best to ensure everything arrives in perfect shape, but if anything arrives damaged, missing, or defective, our Customer Experience team is here to help.

Just email us at hello@nestig.com and we'll be glad to assist!

For more information on our warranty, visit:

<https://www.nestig.com/pages/warranty-policy>

Bienvenue dans le monde de Nestig!

Notre Garantie

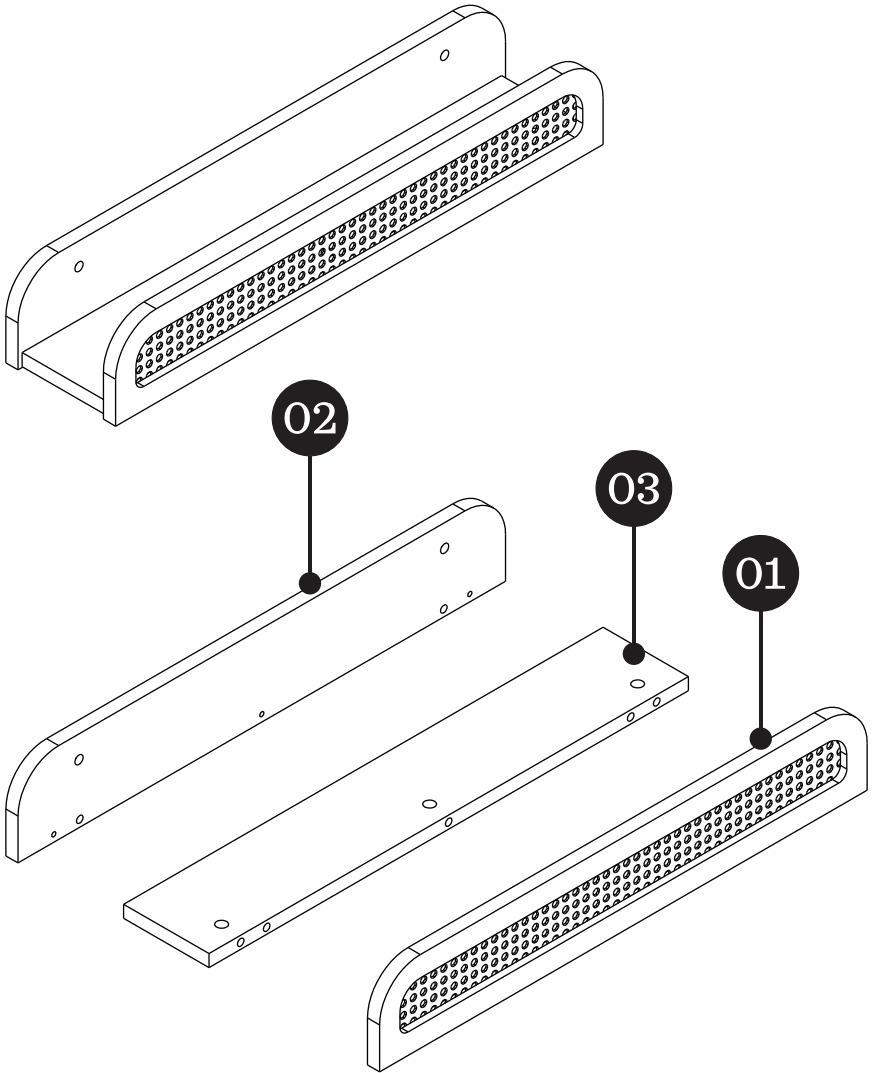
Nos produits sont accompagnés d'une garantie limitée de deux ans! Nous faisons de notre mieux pour que tout arrive forme parfaite, mais si quelque chose arrive endommagé, manquant ou défectueux, notre équipe Expérience Client est là pour vous aider.

Envoyez-nous un e-mail à hello@nestig.com et nous serons heureux de vous aider!

Pour plus d'informations sur notre garantie, visitez:

<https://www.nestig.com/pages/warranty-policy>

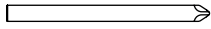
Product Parts Detail



ITEM	DESCRIPTION	QUANTITY
01	Front	01
02	Back	01
03	Base	01

Hardware List

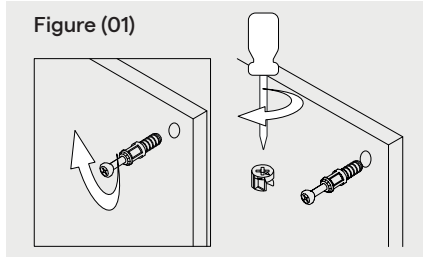
Not included: Phillips screwdriver, hammer, and drill



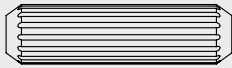
Phillips head screwdriver

How to use the cam lock nut and bolt

Figure (01)



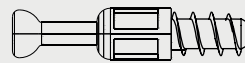
A



x04

Dowel 8x30mm

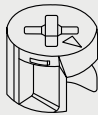
B



x03

Cam lock bolt

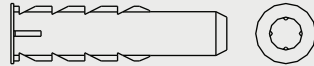
C



x03

Cam lock nut 12mm

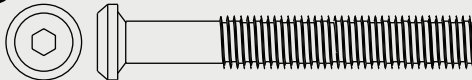
D



x02

Anchor 8mm

E



x02

Allen Head Bolt 7x50mm

F



x05

Hole Cover

G



x01

Z Wrench

H



x03

Allen Head Bolt 7x60mm

Step 1

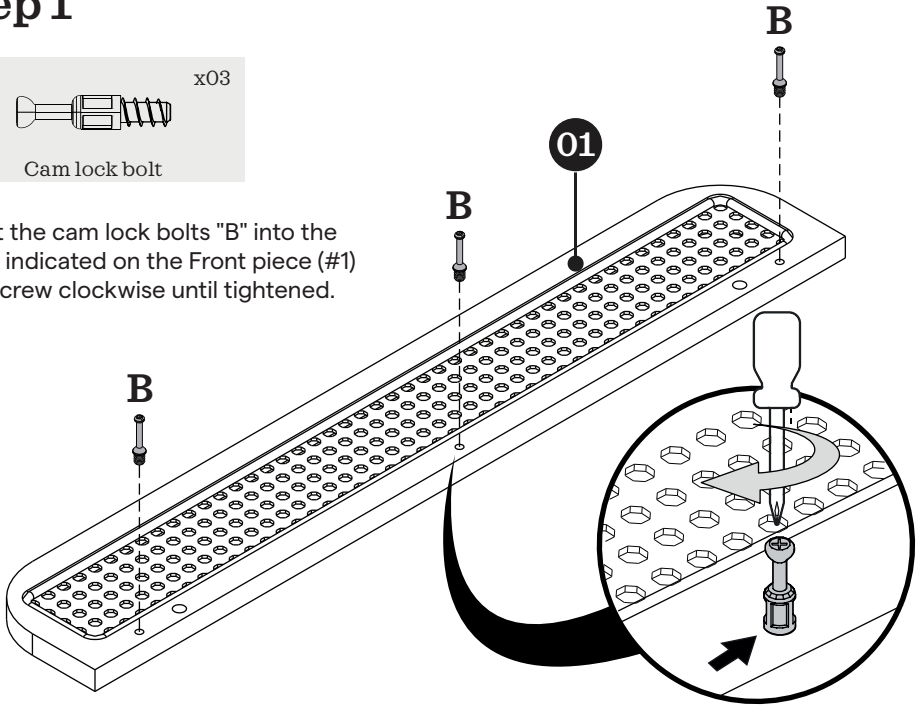
B

x03



Cam lock bolt

Insert the cam lock bolts "B" into the holes indicated on the Front piece (#1) and screw clockwise until tightened.



Step 2

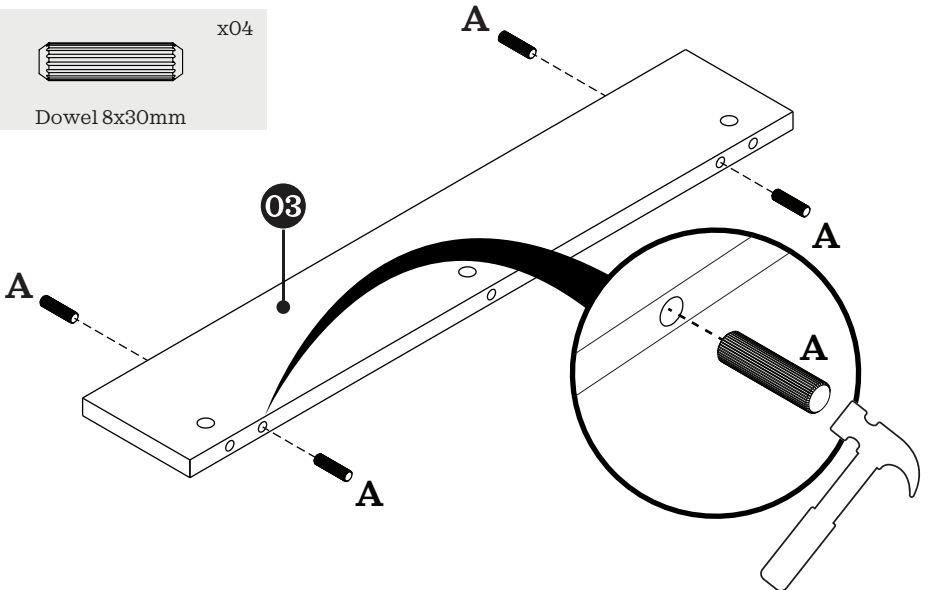
A

x04



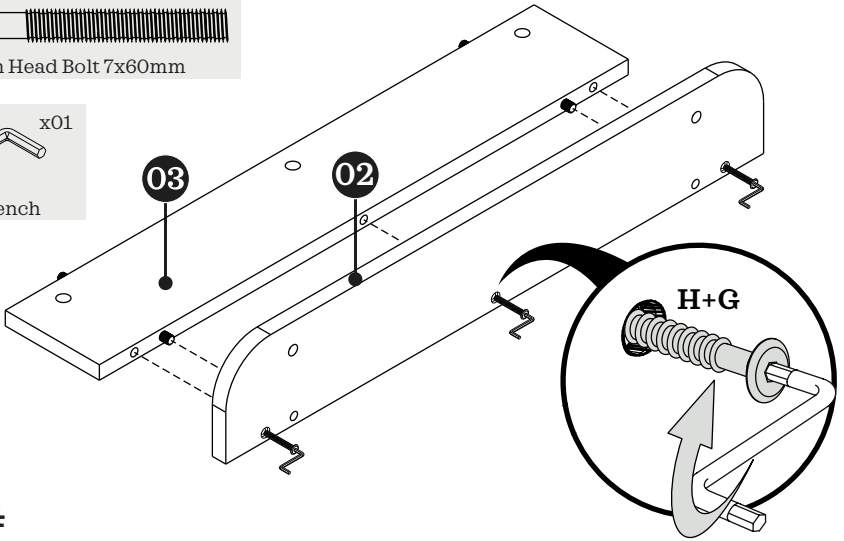
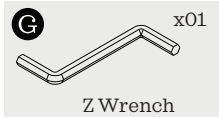
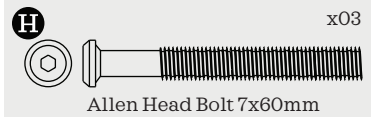
Dowel 8x30mm

Insert the dowels "A" into the holes indicated on the Base (#3), tapping lightly with a hammer if necessary.



Step 3

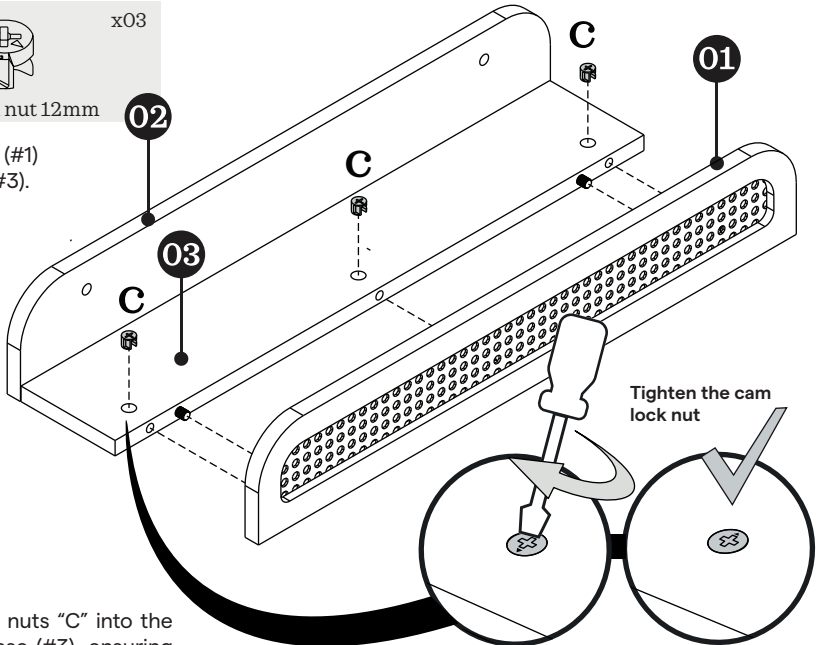
Attach the Back(#2) to the Base (#3), using Allen Head Bolts "H" and the Z Wrench "G".



Step 4

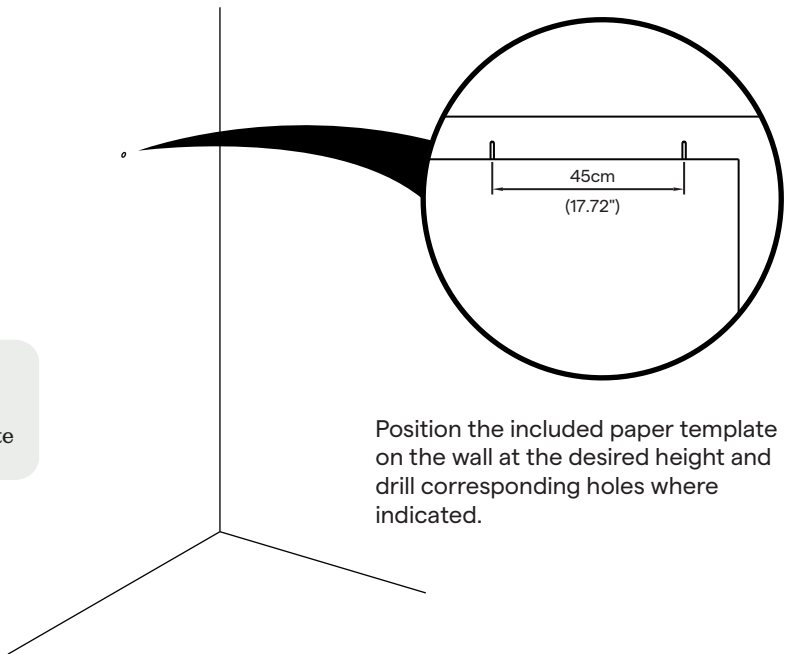


Guide the Front (#1) onto the Base (#3).



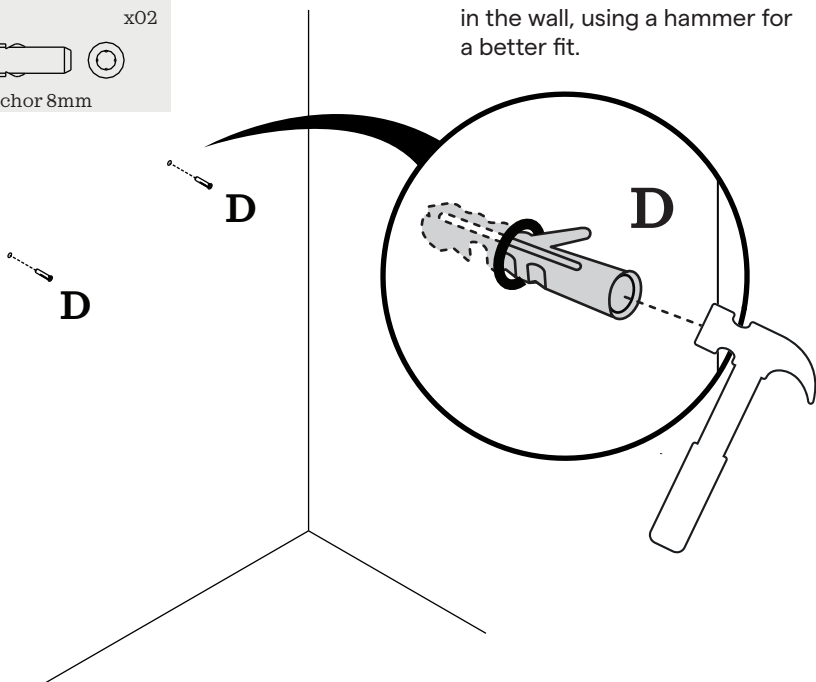
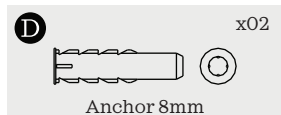
Insert cam lock nuts "C" into the holes on the Base (#3), ensuring that the arrows on "C" point towards piece #1. Tighten the cam lock nuts, turning clockwise with a Phillips screwdriver.

Step 5



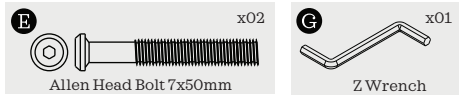
Position the included paper template on the wall at the desired height and drill corresponding holes where indicated.

Step 6

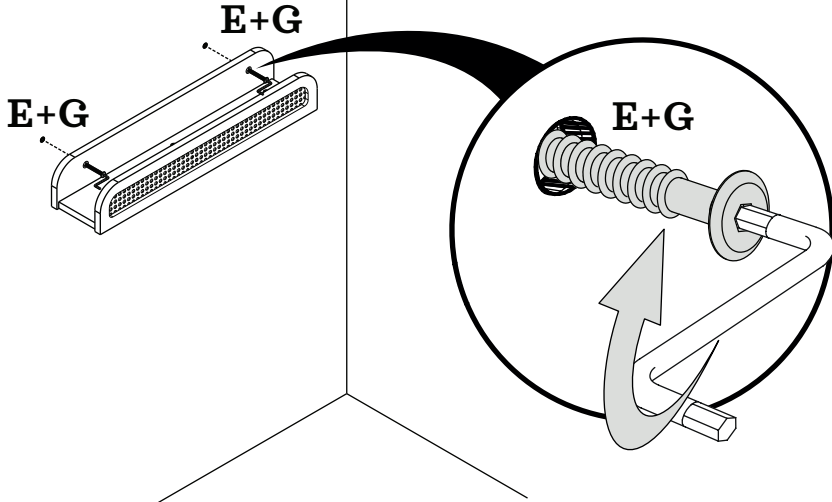


Insert the "D" anchors into the holes in the wall, using a hammer for a better fit.

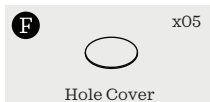
Step 7



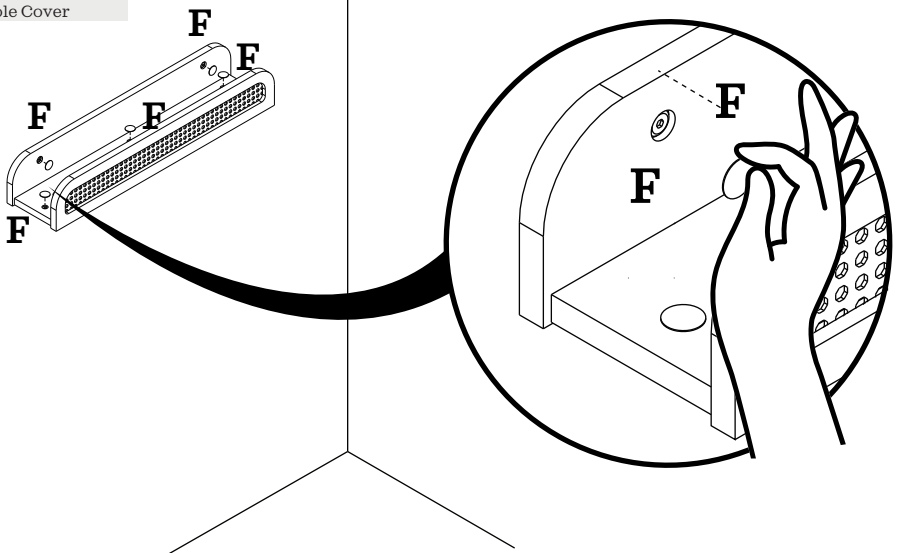
Lining the holes in the shelf up with the holes in the wall, attach the shelf to the wall using the Allen Head Bolts "E" and the Z Wrench.



Step 8



Apply the "F" hole covers as indicated.



We're Here to Help!

Our product specialists are on hand to answer any questions, help you set up and use your Nestig products, and bring the nursery you imagine to life:

Email us at hello@nestig.com
www.nestig.com/support
Monday - Friday | 10am-5pm ET

Nous sommes là pour vous aider!

Nos spécialistes produits sont à votre disposition pour répondre à toutes vos questions, vous aider à installer et utiliser vos produits Nestig et donner vie à la chambre d'enfant que vous imaginez:

Contactez-nous au hello@nestig.com
www.nestig.com/support
Lundi - Vendredi | 10h-17h HE



nestig.com



Nestig, Inc.

hello@nestig.com

PO Box 1106, New York, NY 10023