

NESTiG

Elephant Floating Shelf



Please read all instructions before assembly
and use of product!

Lisez toutes les instructions avant
d'assembler et d'utiliser le produit!

Welcome to the Nestig World!

Our Warranty

Our products come with a limited two year warranty! We do our best to ensure everything arrives in perfect shape, but if anything arrives damaged, missing, or defective, our Customer Experience team is here to help.

Just email us at hello@nestig.com and we'll be glad to assist!

For more information on our warranty, visit:

<https://www.nestig.com/pages/warranty-policy>

Bienvenue dans le monde de Nestig!

Notre Garantie

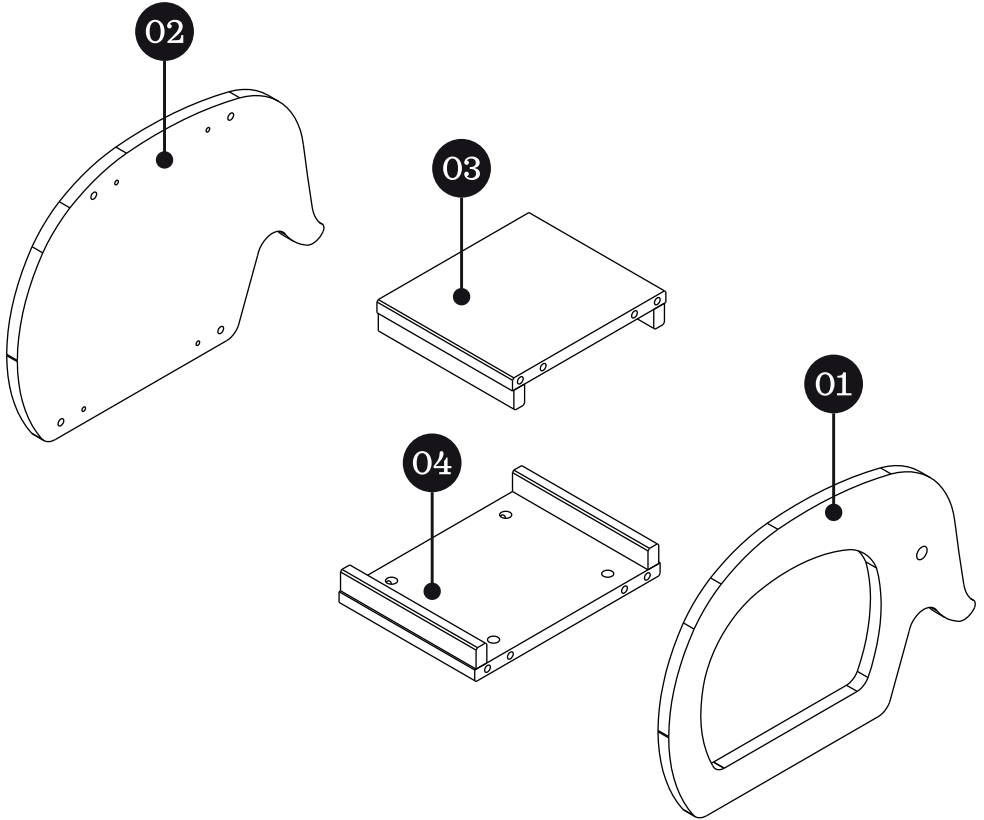
Nos produits sont accompagnés d'une garantie limitée de deux ans! Nous faisons de notre mieux pour que tout arrive forme parfaite, mais si quelque chose arrive endommagé, manquant ou défectueux, notre équipe Expérience Client est là pour vous aider.

Envoyez-nous un e-mail à hello@nestig.com et nous serons heureux de vous aider!

Pour plus d'informations sur notre garantie, visitez:

<https://www.nestig.com/pages/warranty-policy>

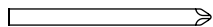
Product Parts Detail



ITEM	DESCRIPTION	QUANTITY
01	Front	01
02	Back	01
03	Top	01
04	Base	01

Hardware List

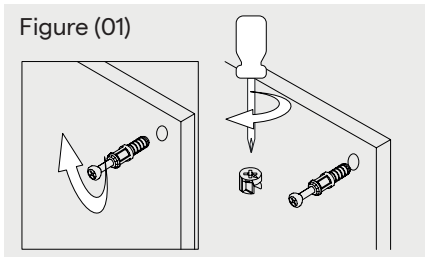
Not included: Phillips screwdriver, hammer, and drill



Phillips head screwdriver

How to use the cam lock nut and bolt

Figure (01)



A

x08



Dowel 8x30mm

B

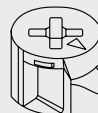
x08



Cam lock bolt

C

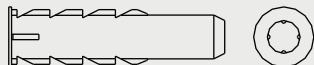
x08



Cam lock nut 12mm

D

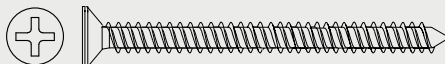
x02



Anchor 8mm

E

x02



Screw 4x50mm

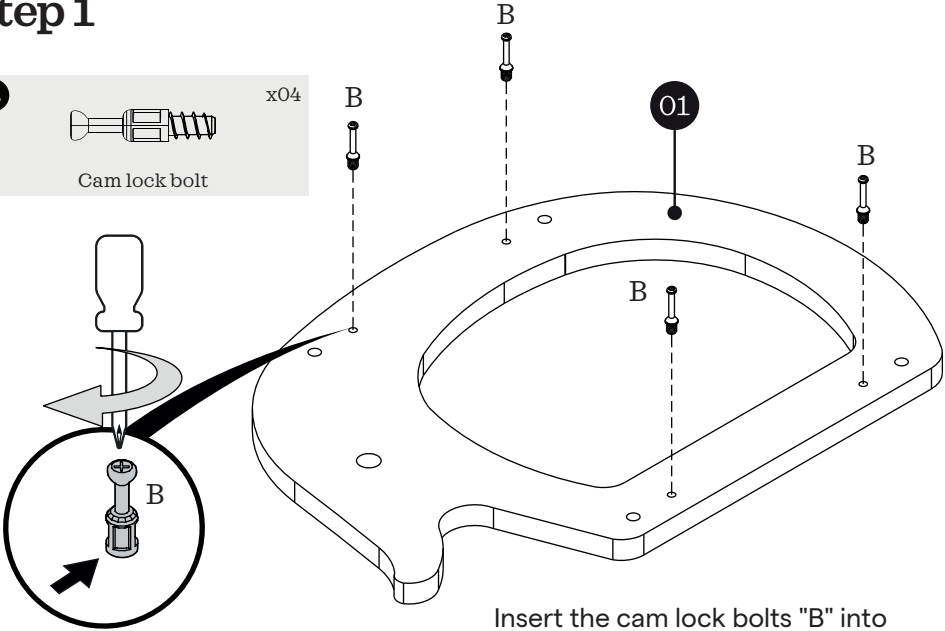
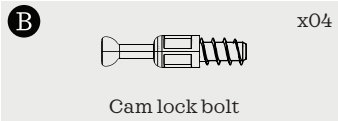
F

x08



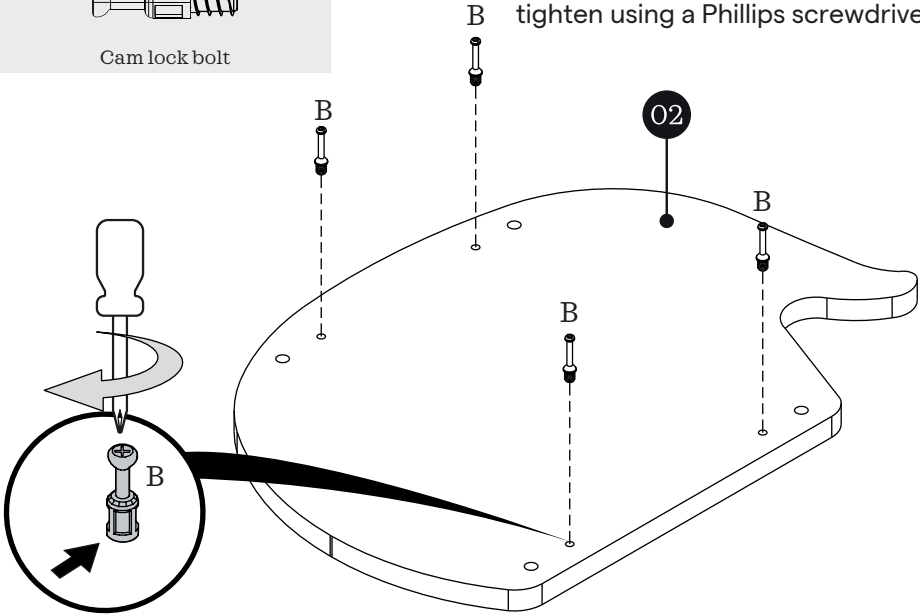
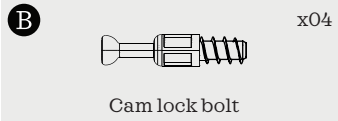
Hole cover

Step 1



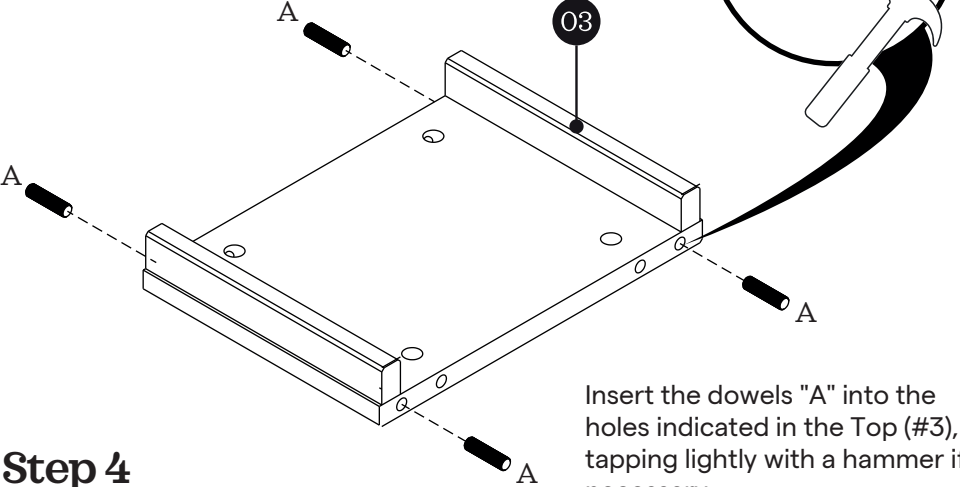
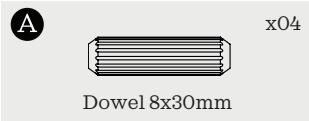
Insert the cam lock bolts "B" into the indicated holes on the Front (#1) and screw clockwise with a Phillips screwdriver until tightened.

Step 2



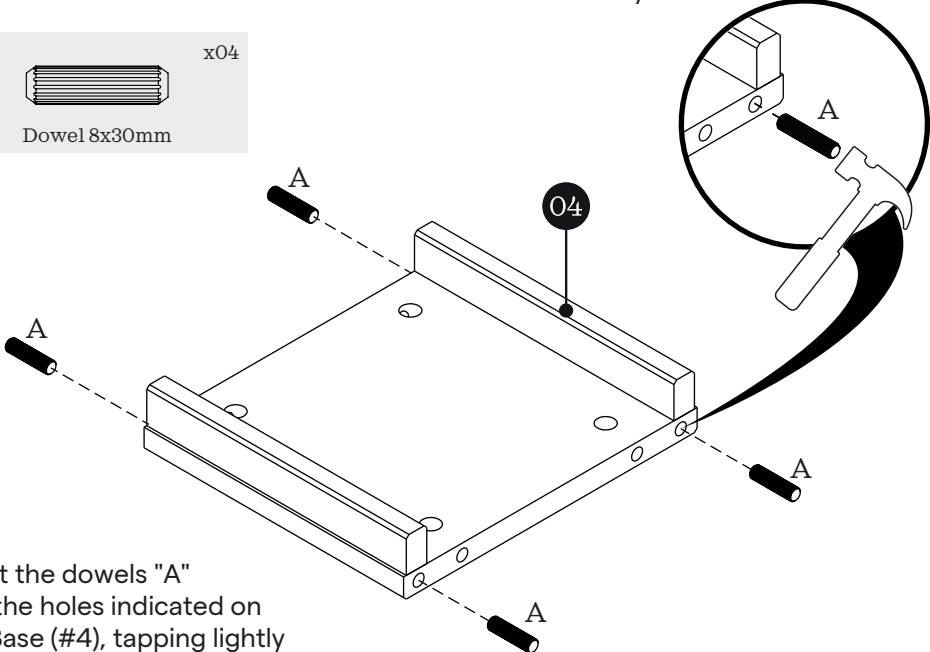
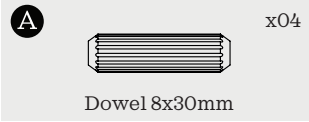
Insert the cam lock bolt "B" into the indicated holes on the Back (#2) and tighten using a Phillips screwdriver.

Step 3



Insert the dowels "A" into the holes indicated in the Top (#3), tapping lightly with a hammer if necessary.

Step 4



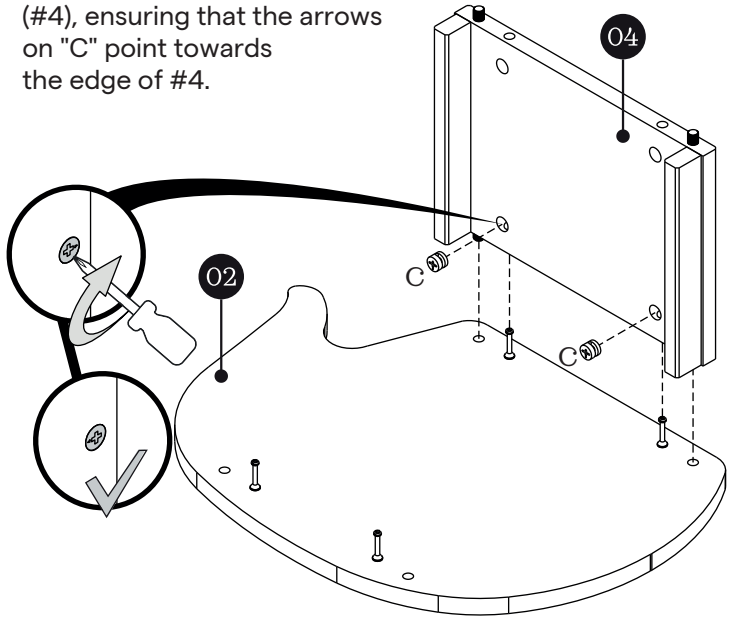
Insert the dowels "A" into the holes indicated on the Base (#4), tapping lightly with a hammer if necessary.

Step 5



Next, thread #4 onto #2, lining up the cam lock nuts and bolts. Finally, tighten the cam lock nuts "C" clockwise with a Phillips screwdriver until locked.

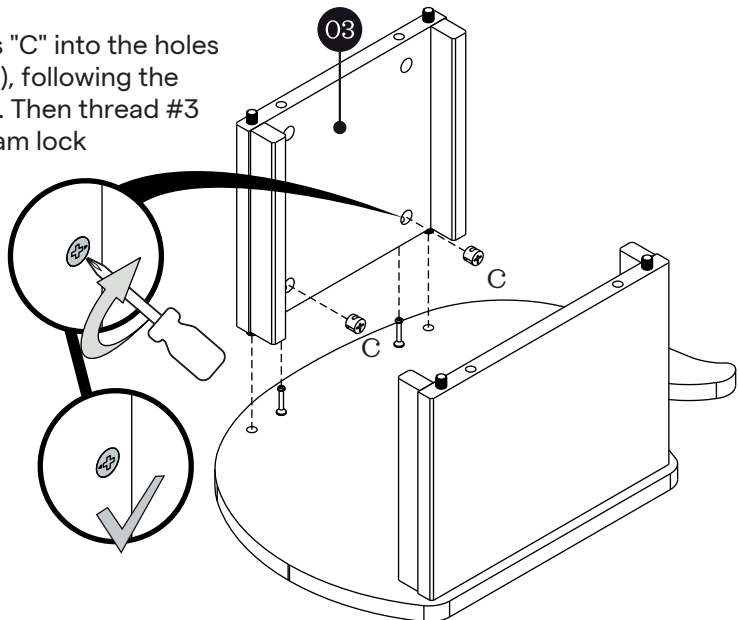
Insert the cam lock nuts "C" into the holes indicated on the Base (#4), ensuring that the arrows on "C" point towards the edge of #4.



Step 6



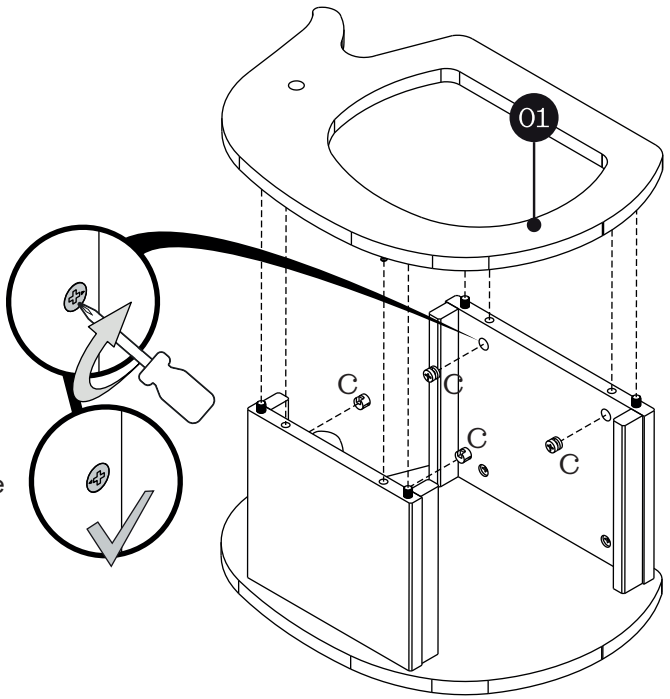
Insert the cam lock nuts "C" into the holes indicated in the Top (#3), following the same process as Step 5. Then thread #3 onto #2, lining up the cam lock nuts and bolts. Finally, tighten "C" clockwise with a Phillips screwdriver until locked.



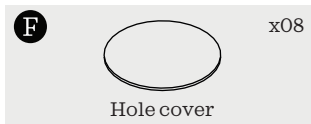
Step 7



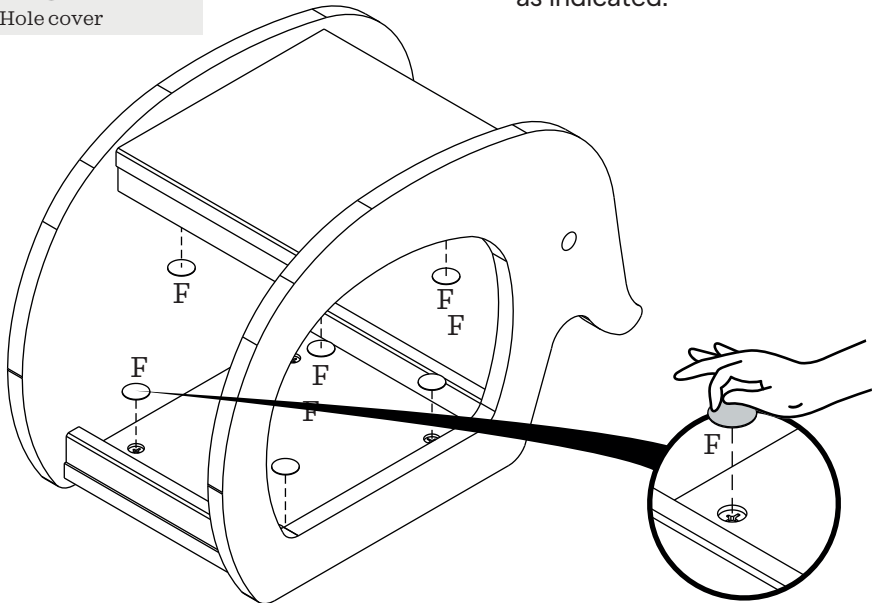
Insert the cam lock nuts "C" into the holes indicated on the Base (#4) and on the Top (#3), following the same process as Step 5. Then thread the Front (#1) onto the structure, lining up the cam lock nuts and bolts. Finally, tighten "C" clockwise with a Phillips screwdriver until locked.



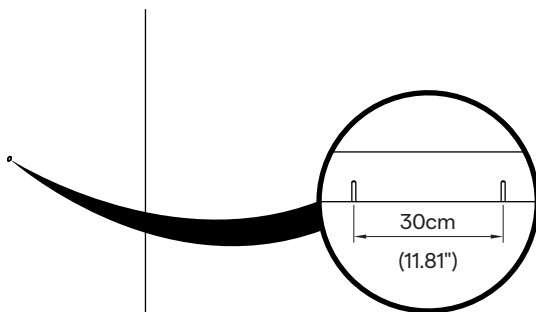
Step 8



Optional: Apply the "F" hole covers to the cam lock nuts, as indicated.



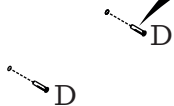
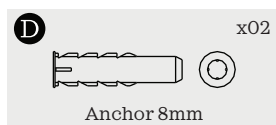
Step 9



Consult template

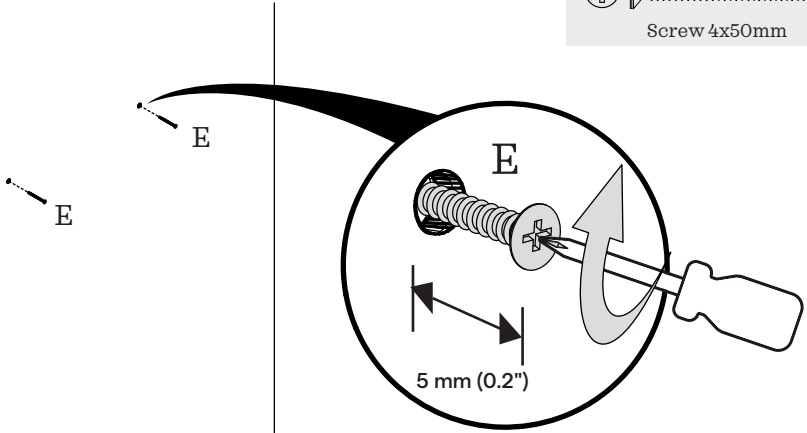
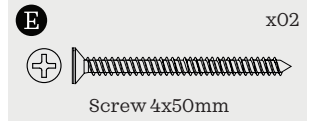
Position the included paper template on the wall at the desired height and drill corresponding holes where indicated.

Step 10



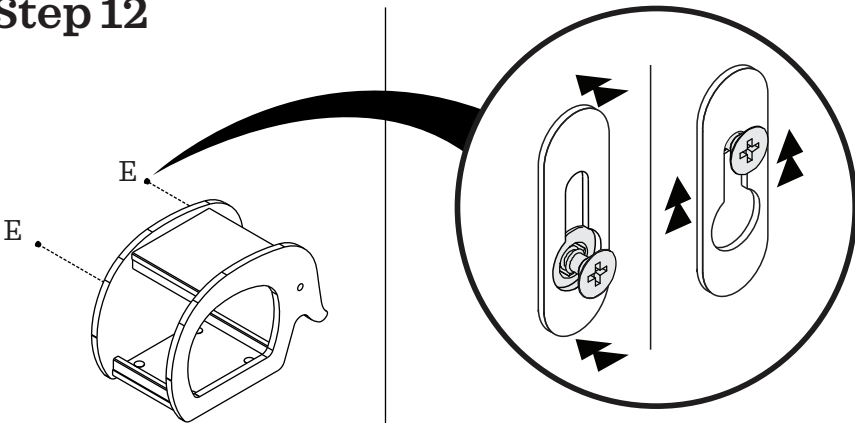
Insert the "D" anchors into the holes in the wall, using a hammer for a better fit.

Step 11



Using a Phillips screwdriver, tighten screws "E" into anchors "D", leaving approximately 5 mm (0.2") protruding from the wall.

Step 12



Fit the round openings on the back of the elephant onto the screw heads "E", then glide the elephant downward until it is held in place by the screws.

We're Here to Help!

Our product specialists are on hand to answer any questions, help you set up and use your Nestig products, and bring the nursery you imagine to life:

Email us at hello@nestig.com
www.nestig.com/support
Monday - Friday | 10am-5pm ET

Nous sommes là pour vous aider!

Nos spécialistes produits sont à votre disposition pour répondre à toutes vos questions, vous aider à installer et utiliser vos produits Nestig et donner vie à la chambre d'enfant que vous imaginez:

Contactez-nous au hello@nestig.com
www.nestig.com/support
Lundi - Vendredi | 10h-17h HE



nestig.com



Nestig, Inc.

hello@nestig.com

PO Box 1106, New York, NY 10023