

NESTiG

# The Navigator Shelf



Please read all instructions before assembly  
and use of product!

Lisez toutes les instructions avant  
d'assembler et d'utiliser le produit!

# Welcome to the Nestig World!

## Our Warranty

Our products come with a limited two year warranty! We do our best to ensure everything arrives in perfect shape, but if anything arrives damaged, missing, or defective, our Customer Experience team is here to help.

Just email us at [hello@nestig.com](mailto:hello@nestig.com) and we'll be glad to assist!

For more information on our warranty, visit:

<https://www.nestig.com/pages/warranty-policy>

# Bienvenue dans le monde de Nestig!

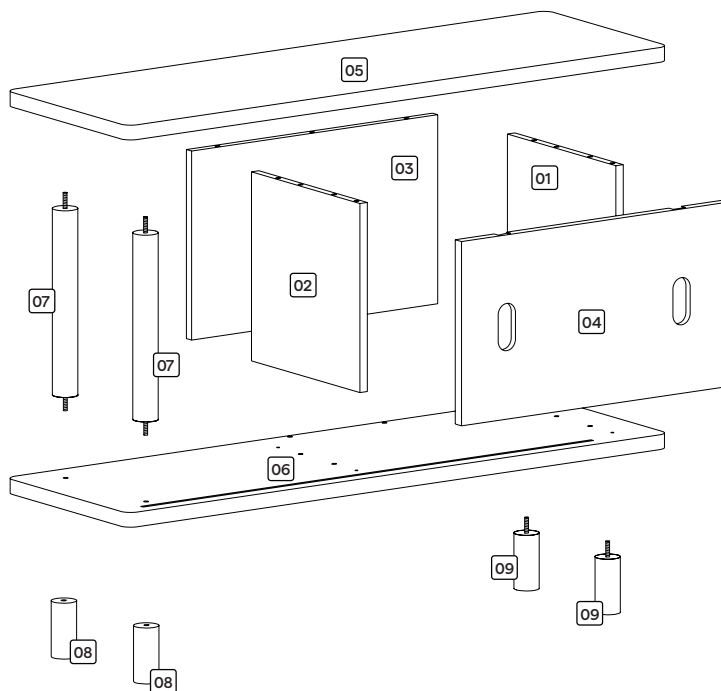
## Notre Garantie

Nos produits sont accompagnés d'une garantie limitée de deux ans! Nous faisons de notre mieux pour que tout arrive forme parfaite, mais si quelque chose arrive endommagé, manquant ou défectueux, notre équipe Expérience Client est là pour vous aider.

Envoyez-nous un e-mail à [hello@nestig.com](mailto:hello@nestig.com) et nous serons heureux de vous aider!

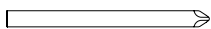
Pour plus d'informations sur notre garantie, visitez:

<https://www.nestig.com/pages/warranty-policy>



| Item | Description | Quantity |
|------|-------------|----------|
| 01   | Right panel | 01       |
| 02   | Left panel  | 01       |
| 03   | Back panel  | 01       |
| 04   | Door        | 01       |
| 05   | Top panel   | 01       |
| 06   | Base        | 01       |
| 07   | Column      | 02       |
| 08   | Left legs   | 02       |
| 09   | Right legs  | 02       |

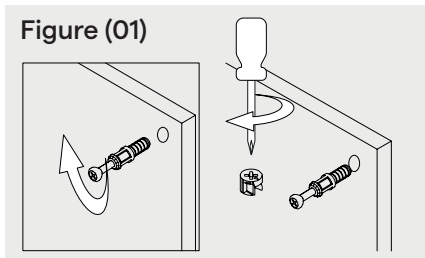
**Not included: Phillips head screwdriver and hammer**



Phillips head screwdriver

**How to use the cam lock nut and bolt**

**Figure (01)**



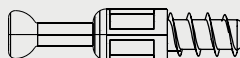
**Hardware list**

**A** Qty. 14



8x30mm dowel

**B** Qty. 08



Cam lock bolt

**C** Qty. 08



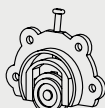
Cam lock nut

**D** Qty. 16



4x14mm screw

**E** Qty. 04



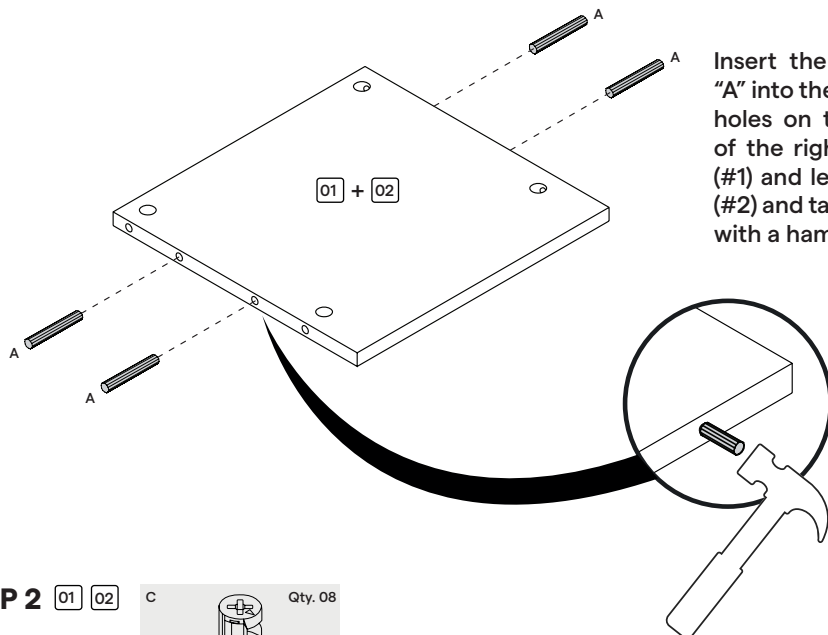
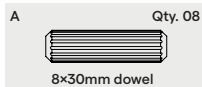
Glider

**F** Qty. 08

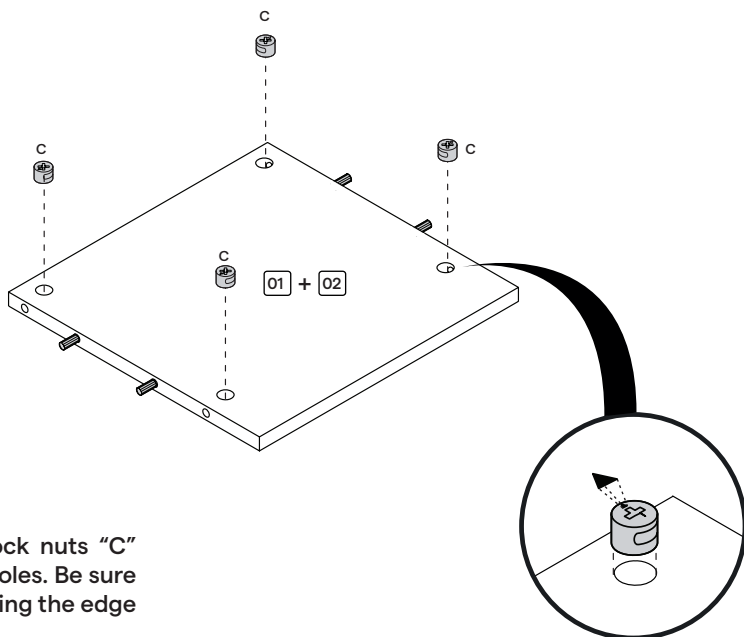


Adhesive hole cover

## STEP 1 01 02



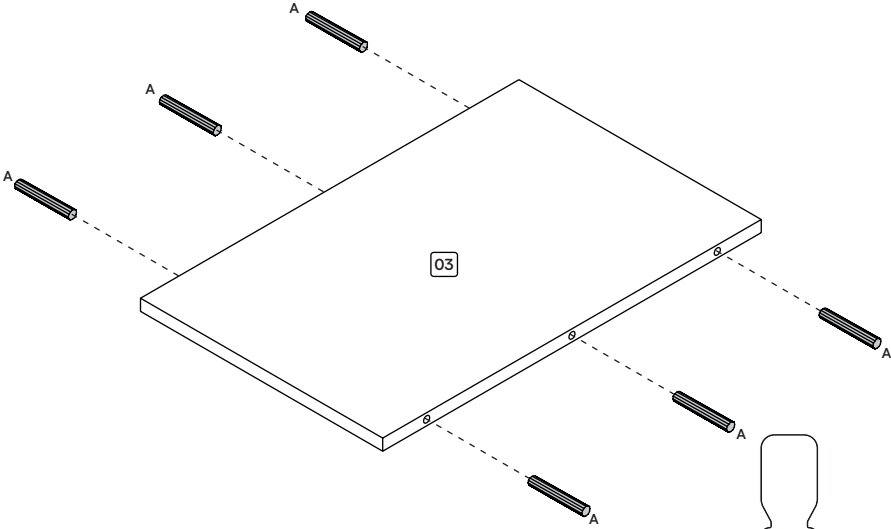
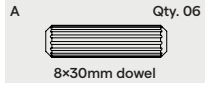
## STEP 2 01 02



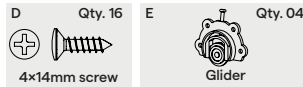
Position the cam lock nuts "C" in their respective holes. Be sure that the arrow is facing the edge of the piece.

**STEP 3** 03

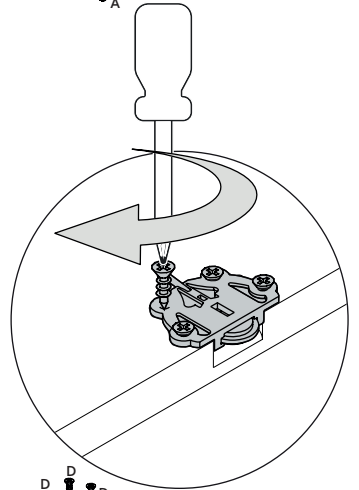
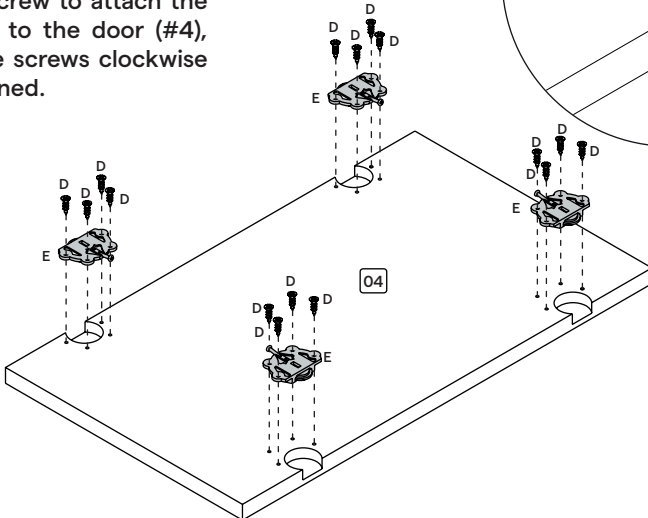
Insert the dowels "A" into the holes on the side of the back panel (#3) and tap lightly with a hammer.



**STEP 4** 04

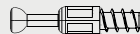


Use a Phillips screwdriver and each "D" screw to attach the gliders "E" to the door (#4), turning the screws clockwise until tightened.



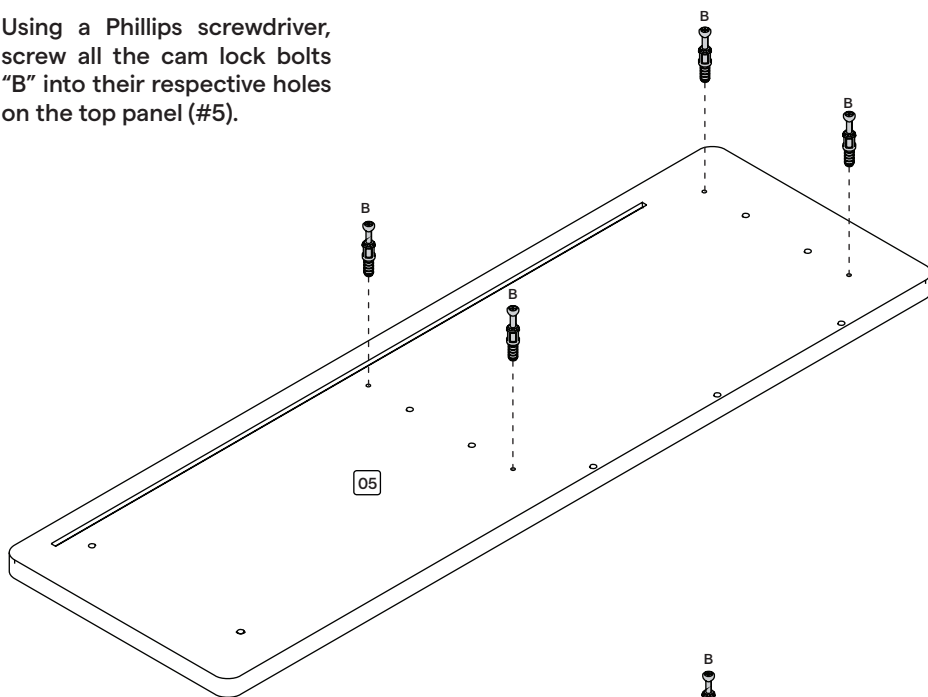
## STEP 5 05

B Qty. 04



Cam lock bolt

Using a Phillips screwdriver, screw all the cam lock bolts "B" into their respective holes on the top panel (#5).



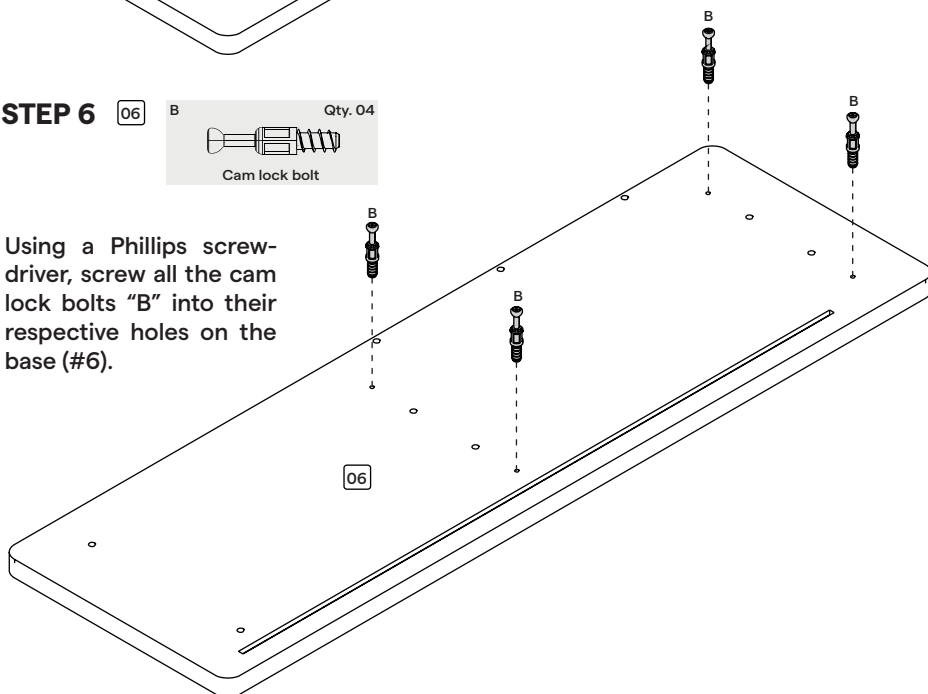
## STEP 6 06

B Qty. 04



Cam lock bolt

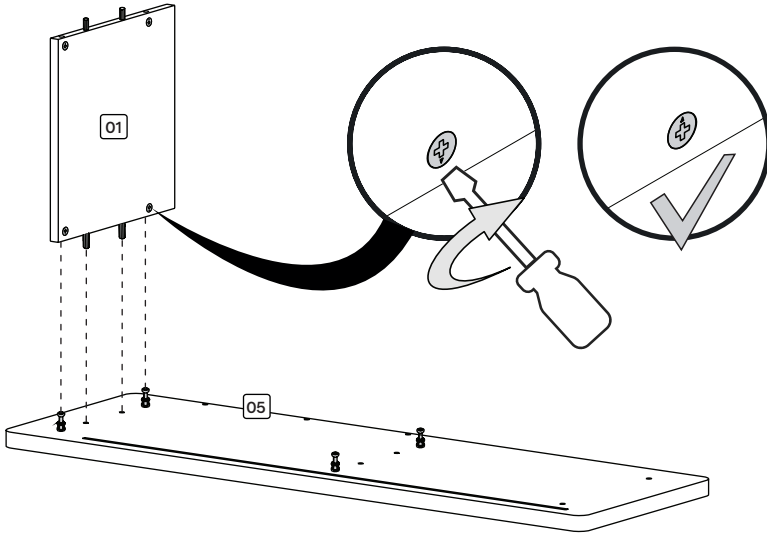
Using a Phillips screwdriver, screw all the cam lock bolts "B" into their respective holes on the base (#6).



## STEP 7 01 05

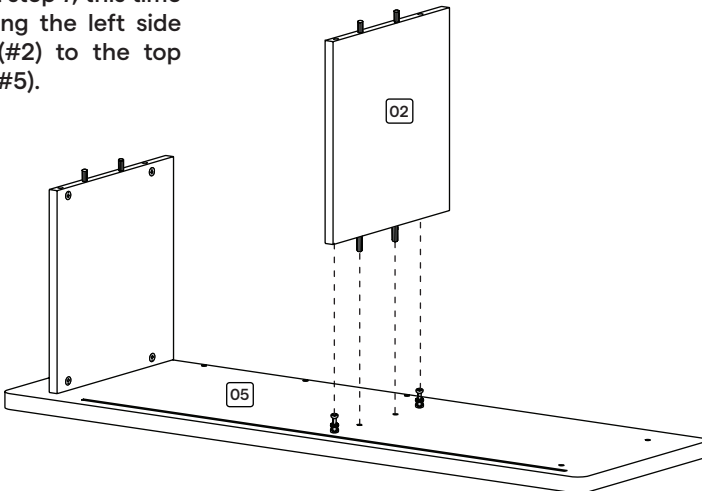
Attach the right panel (#1) to the top panel (#5).

Using a Phillips screwdriver, further secure #1 to #5 by turning the cam lock nuts "C" clockwise until tightened. Be sure the arrows on the cam lock nuts "C" end facing the inside of piece #1.



## STEP 8 02

Repeat step 7, this time attaching the left side panel (#2) to the top panel (#5).

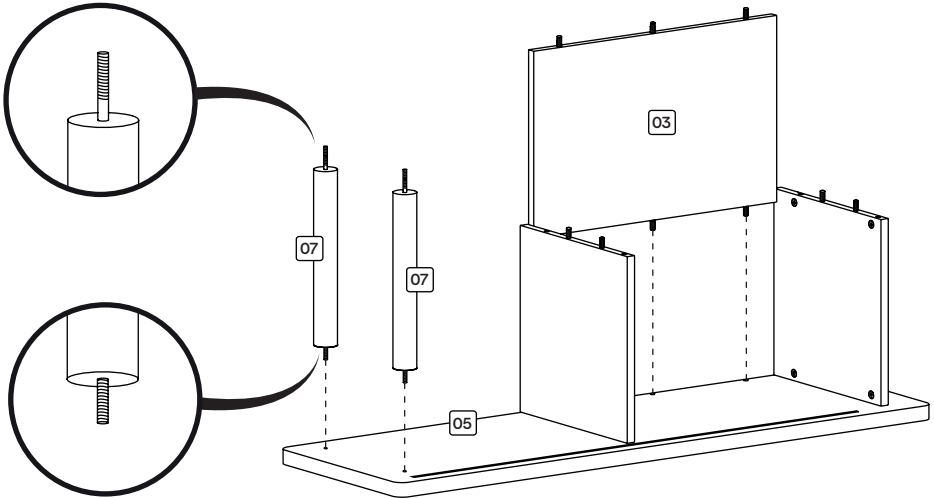




## STEP 9 03 07

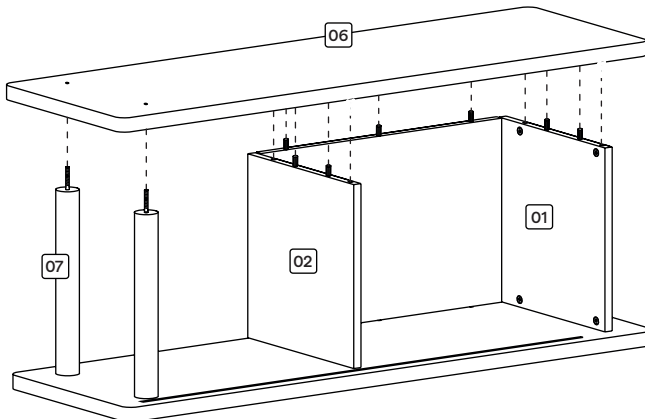
Screw the columns (#7) into the top panel (#5) using the side with the shorter threading, ensuring that the longer threading is facing away from piece #5.

Connect the back panel (#3) to the top panel (#5) by inserting the dowels in the back panel (#3) into the holes in the top panel (#5).



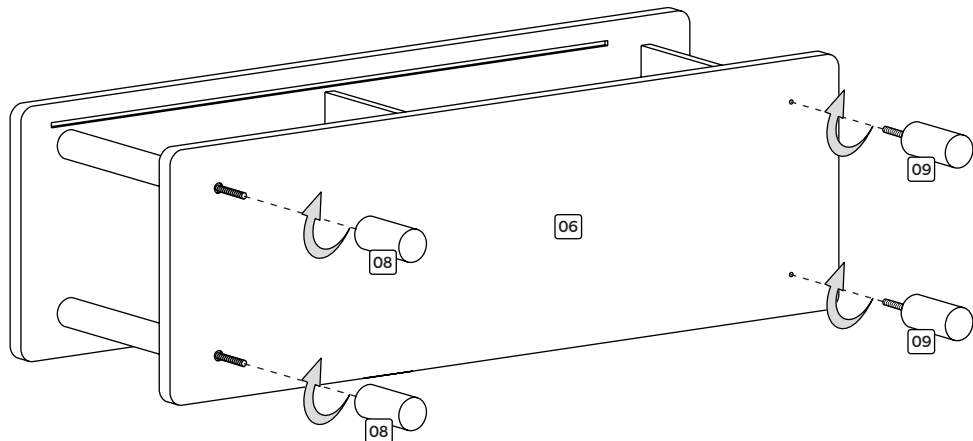
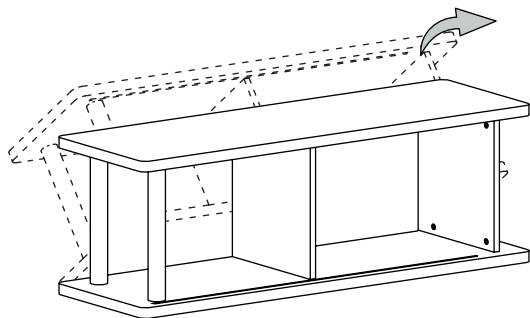
## STEP 10 06

Connect the base (#6) to the rest of the structure, ensuring that the dowels and column (#7) threading line up with the pre-drilled holes in piece #6. Using a screwdriver, further secure #1 and #2 to #6 by turning the cam lock nuts "C" on the top of #1 and #2 clockwise until tightened. Be sure that the arrows on each cam lock nut "C" end pointing towards the inside of pieces #1 or #2.



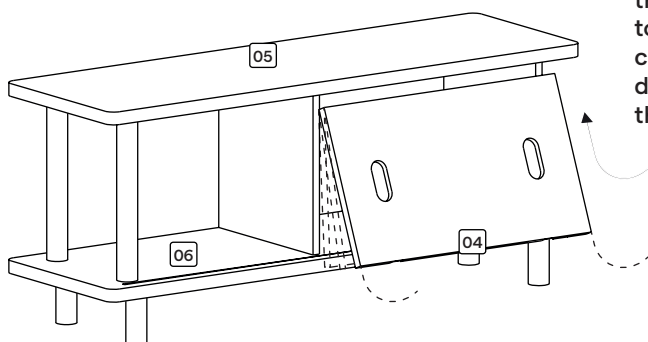
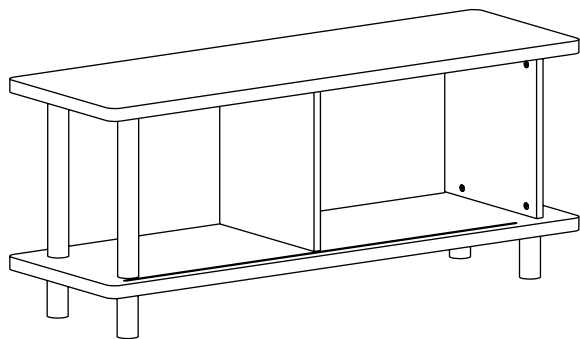
## STEP 11 08 09

Next, flip the structure so that the base (#6) is facing you. Connect the left legs (#8) and right legs (#9) to the structure, turning clockwise until tightened.

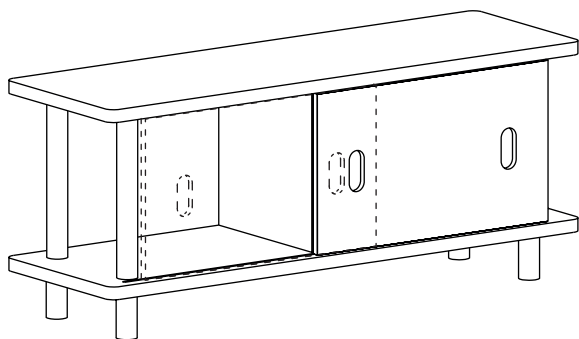


**STEP 12** 04

Flip the structure so that it is standing upright.

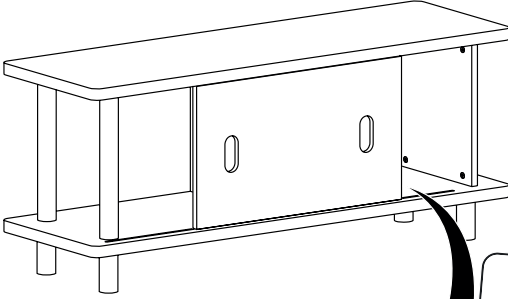


Tilt the door (#4) slightly and guide the casters on the top of the door into the track on the top panel (#5). Then, direct the casters on the bottom of the door (#4) towards the track on the base (#6).

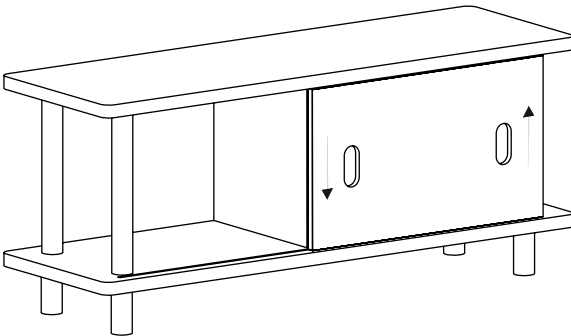
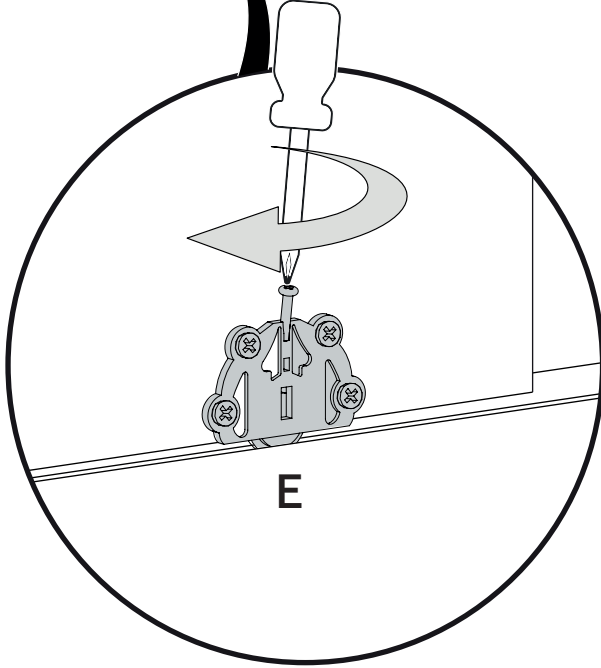


Glide the door to the end of the rail, checking to see if it fits properly and slides smoothly.

## STEP 13



To adjust the gliders "E", face the inside of the door (#4) and use a Phillips screwdriver to turn the vertical screw on the glider. Making small adjustments, check that the door is secure in the track and does not wobble when in use.

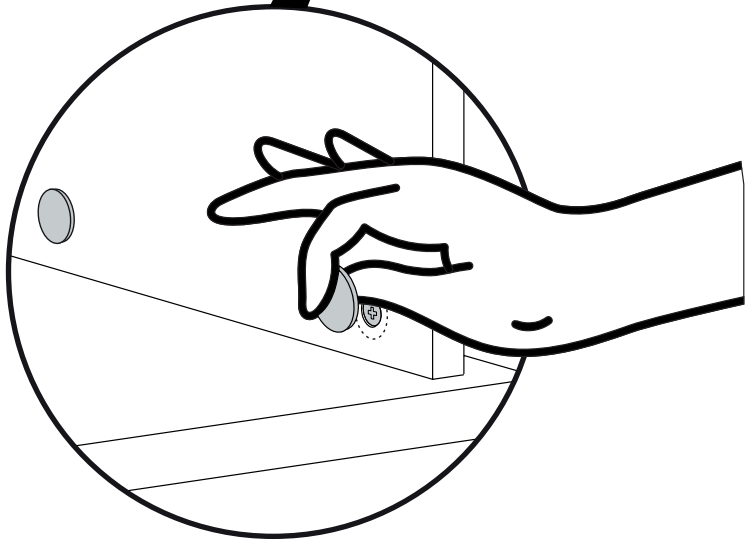
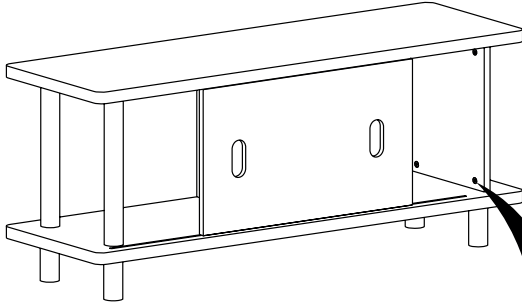


Repeat this until all of the gliders "E" are adjusted.

## STEP 14



Optional: Cover any holes with the adhesive hole covers "F".



## We're Here to Help!

Our product specialists are on hand to answer any questions, help you set up and use your Nestig products, and bring the nursery you imagine to life:

Email us at [hello@nestig.com](mailto:hello@nestig.com)  
[www.nestig.com/support](http://www.nestig.com/support)  
Monday - Friday | 10am-5pm ET

## Nous sommes là pour vous aider!

Nos spécialistes produits sont à votre disposition pour répondre à toutes vos questions, vous aider à installer et utiliser vos produits Nestig et donner vie à la chambre d'enfant que vous imaginez:

Contactez-nous au [hello@nestig.com](mailto:hello@nestig.com)  
[www.nestig.com/support](http://www.nestig.com/support)  
Lundi - Vendredi | 10h-17h HE



[nestig.com](https://nestig.com)



**Nestig, Inc.**  
[hello@nestig.com](mailto:hello@nestig.com)  
PO Box 1106, New York, NY 10023