

NESTiG

The Seabound Shelf



Please read all instructions before assembly
and use of product!

Lisez toutes les instructions avant
d'assembler et d'utiliser le produit!

Welcome to the Nestig World!

Our Warranty

Our products come with a limited two year warranty! We do our best to ensure everything arrives in perfect shape, but if anything arrives damaged, missing, or defective, our Customer Experience team is here to help.

Just email us at hello@nestig.com and we'll be glad to assist!

For more information on our warranty, visit:

<https://www.nestig.com/pages/warranty-policy>

Bienvenue dans le monde de Nestig!

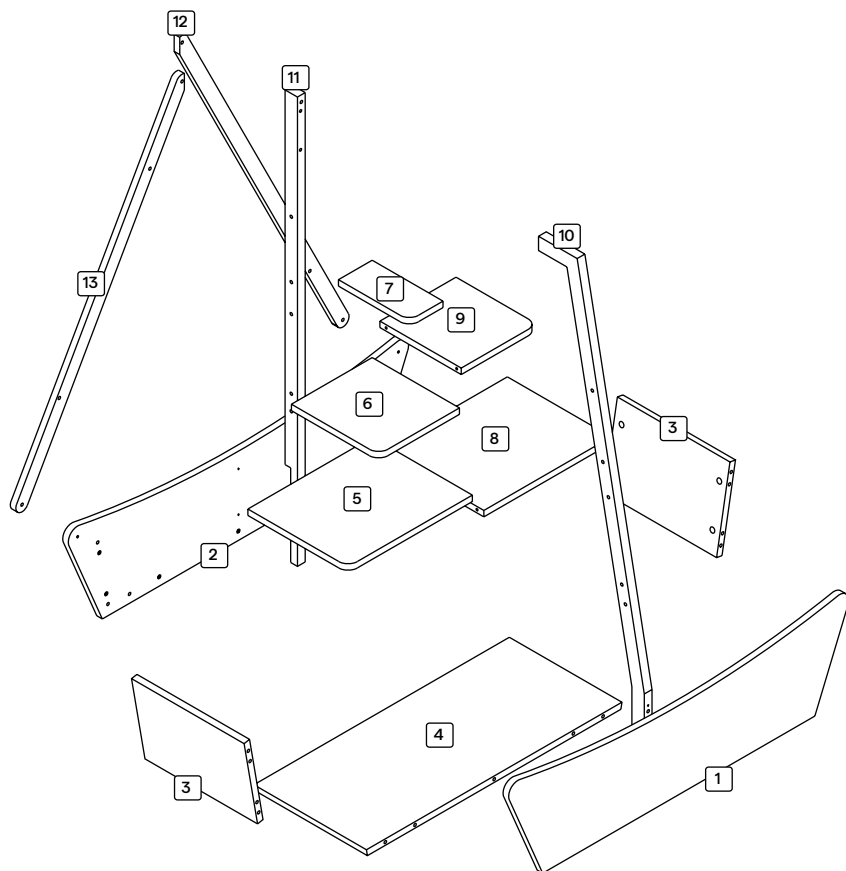
Notre Garantie

Nos produits sont accompagnés d'une garantie limitée de deux ans! Nous faisons de notre mieux pour que tout arrive forme parfaite, mais si quelque chose arrive endommagé, manquant ou défectueux, notre équipe Expérience Client est là pour vous aider.

Envoyez-nous un e-mail à hello@nestig.com et nous serons heureux de vous aider!

Pour plus d'informations sur notre garantie, visitez:

<https://www.nestig.com/pages/warranty-policy>



Item	Description	Quantity
01	Front	01
02	Back	01
03	Side	02
04	Base	01
05	Shelf 05	01
06	Shelf 06	01
07	Shelf 07	01
08	Shelf 08	01
09	Shelf 09	01
10	Front Rod	01
11	Back Rod	01
12	Back Right Arm	01
13	Back Left Arm	01

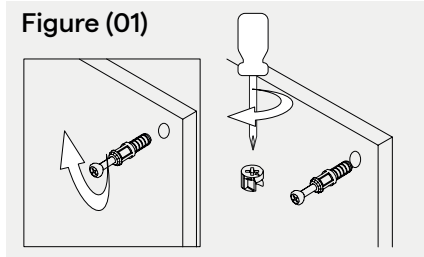
Not included: Phillips head screwdriver and hammer



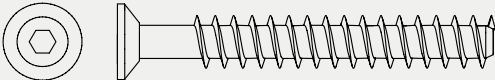
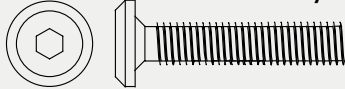
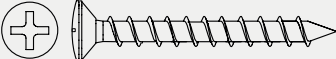
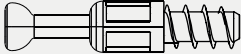

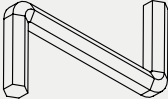



Phillips head screwdriver

How to use the cam lock nut and bolt

Figure (01)



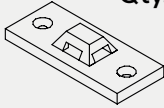
Hardware list

- | | |
|---|---|
| <p>A Qty. 18</p>  <p>7x50mm flat head screw</p> | <p>B Qty. 02</p>  <p>7x30mm allen flat head bolt</p> |
| <p>C Qty. 04</p>  <p>4x35mm screw</p> | <p>D Qty. 14</p>  <p>Cam lock bolt</p> |
| <p>E Qty. 14</p>  <p>Cam lock nut</p> | <p>F Qty. 01</p>  <p>Z wrench</p> |
| <p>G Qty. 12</p>  <p>8x40mm dowel</p> | <p>H Qty. 02</p>  <p>6x40mm dowel</p> |
| <p>I Qty. 36</p>  <p>Adhesive hole cover</p> | |

Anti-Tipping Kit

J

Qty. 02



Anti-tipping panel

K

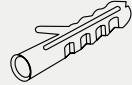
Qty. 01



Anti-tipping fastener

L

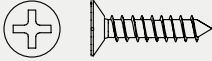
Qty. 02



Anchor 6mm

M

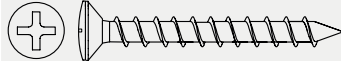
Qty. 02



Anti-tipping 3.5×16mm screw

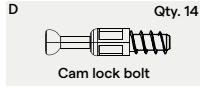
N

Qty. 02

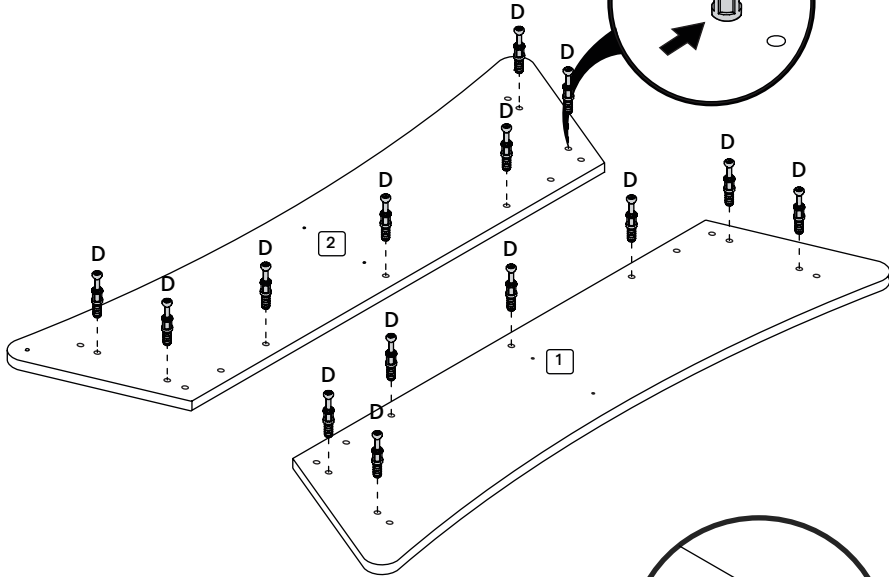


Anti-tipping 4×35mm screw

STEP 1 1 2

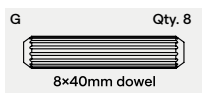
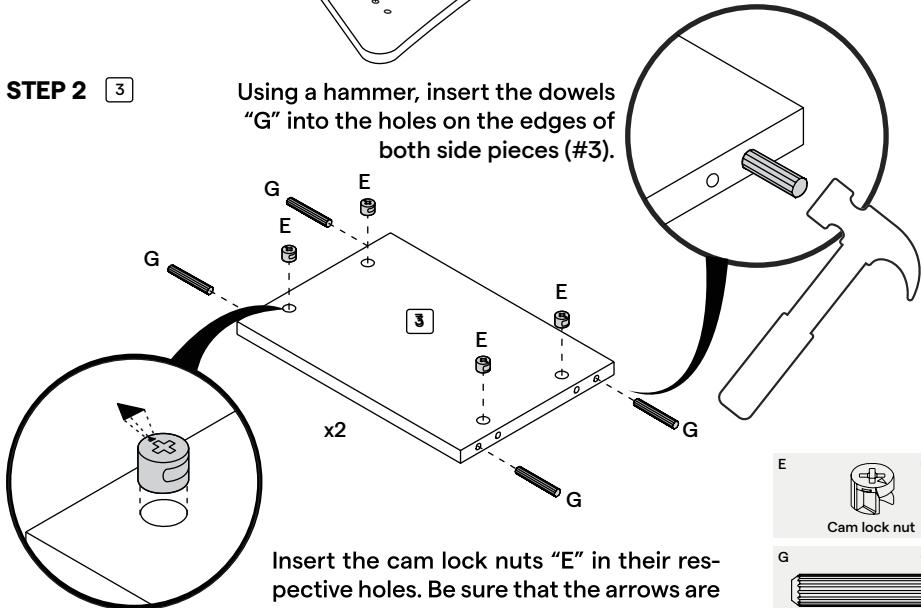


Position the front piece (#1) and the back piece (#2) on a clean and flat surface. Using a Phillips screwdriver, screw all the cam lock bolts "D" into their respective holes as denoted below, turning clockwise until tightened.



STEP 2 3

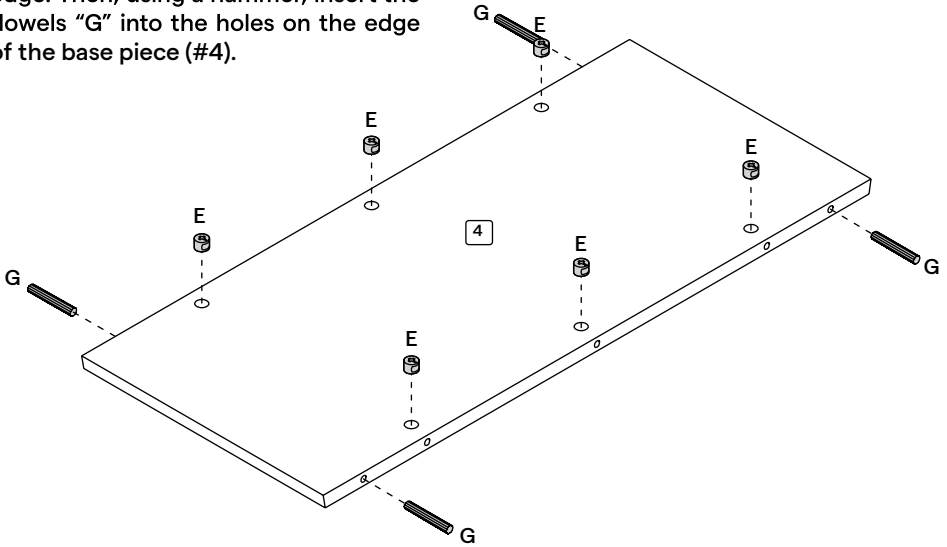
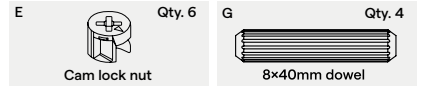
Using a hammer, insert the dowels "G" into the holes on the edges of both side pieces (#3).



Insert the cam lock nuts "E" in their respective holes. Be sure that the arrows are pointing towards the edge of the piece.

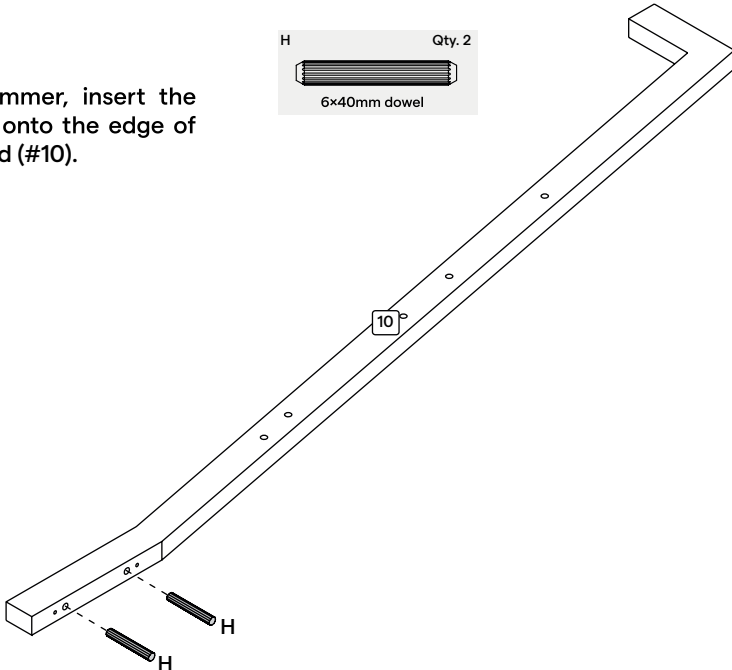
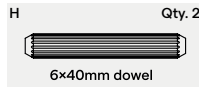
STEP 3 4

Insert the cam lock nuts "E" into the respective holes on the base piece (#4) with the arrows pointing towards the edge. Then, using a hammer, insert the dowels "G" into the holes on the edge of the base piece (#4).



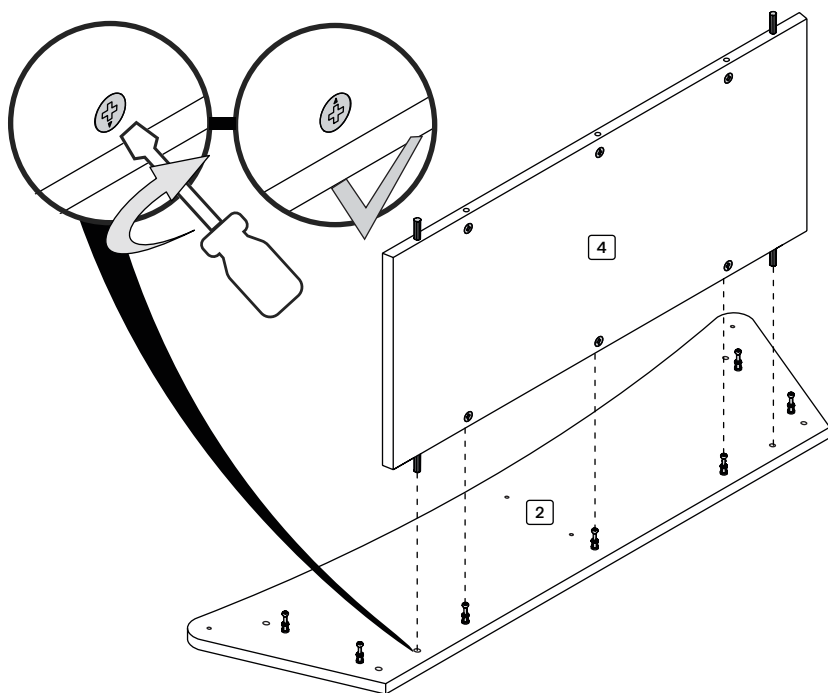
STEP 4 10

Using a hammer, insert the dowels "H" onto the edge of the front rod (#10).



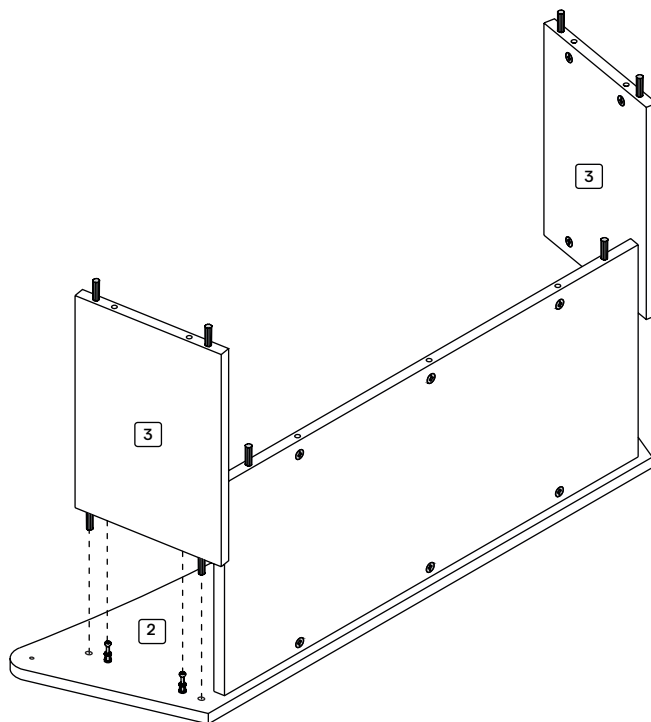
STEP 5 2 4

Connect the base piece (#4) with the back piece (#2), being sure to line up the respective holes and hardware. Then using a Phillips screwdriver, further secure the pieces together by turning the cam lock nuts "E" on the base piece (#4) clockwise until tightened. Be sure the arrows on the cam lock nuts "E" end facing the inside of the furniture.



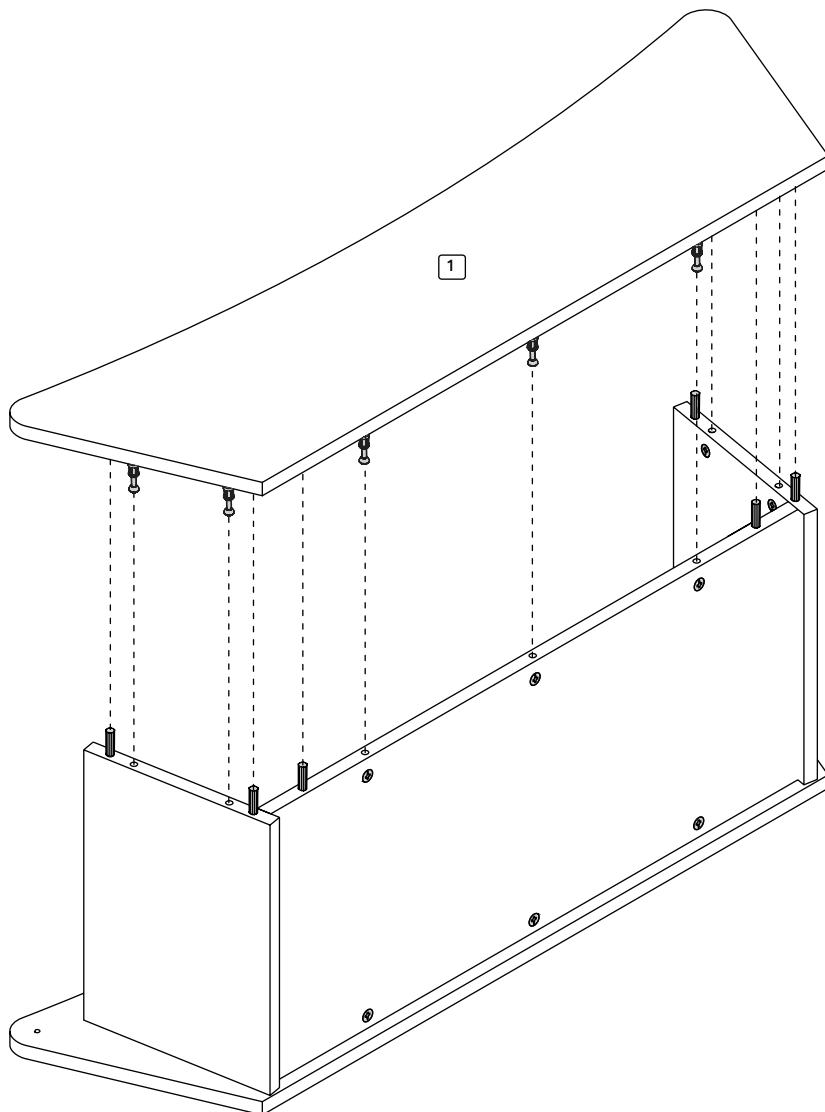
STEP 6 3

Connect the side pieces (#3) with the back piece (#2), being sure to line up the respective holes and hardware. Then using a Phillips screwdriver, further secure the pieces together by turning the cam lock nuts "E" on the side pieces (#3) clockwise until tightened. Be sure the arrows on the cam lock nuts "E" end facing the inside of the side pieces (#3).

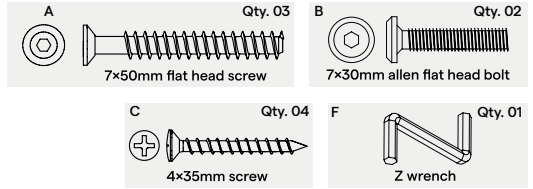


STEP 7 1

Connect the front piece (#1) with rest of the structure, being sure to line up the respective holes and hardware. Then using a Phillips screwdriver, further secure the pieces together by turning the cam lock nuts "E" clockwise until tightened. Be sure the arrows on the cam lock nuts "E" end facing the inside of the furniture.



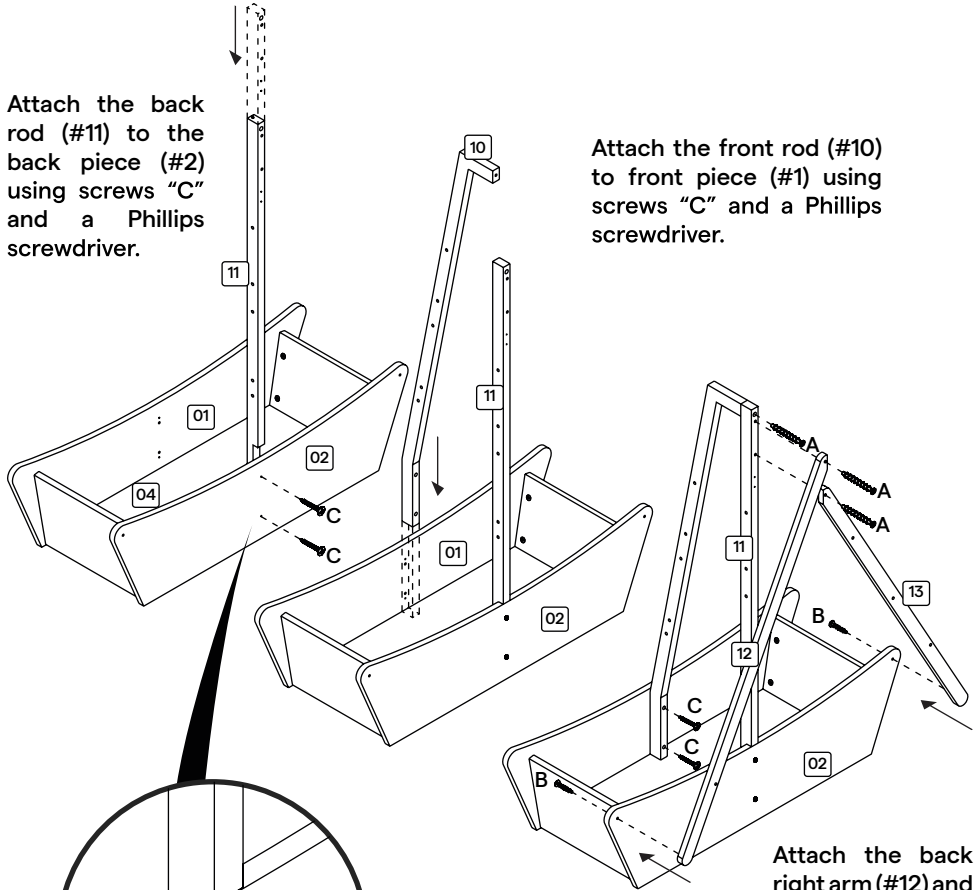
STEP 8 10 11 12 13



Flip the structure so that the base (#4) rests on the ground.

Attach the back rod (#11) to the back piece (#2) using screws "C" and a Phillips screwdriver.

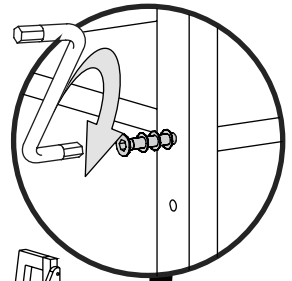
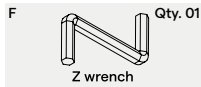
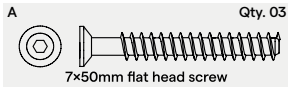
Attach the front rod (#10) to front piece (#1) using screws "C" and a Phillips screwdriver.



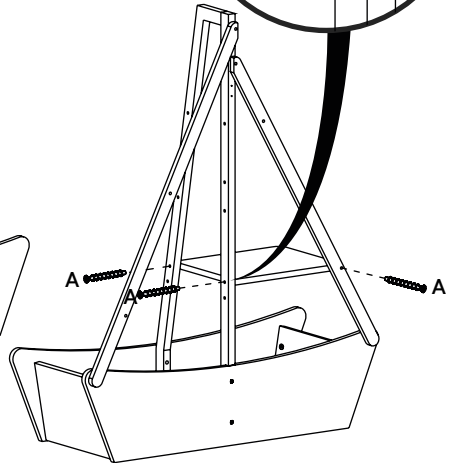
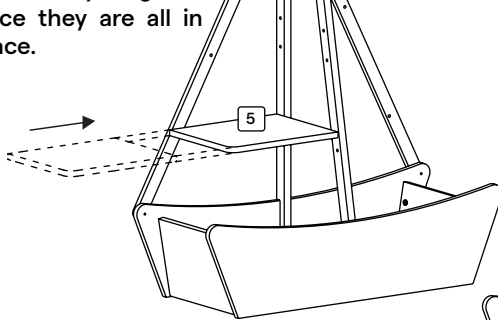
Be sure to screw clockwise until tightened.

Attach the back right arm (#12) and the back left arm (#13) to the back rod (#11) using screws "A" and the Z wrench "F". Attach #12 and #13 to the back piece (#2) using bolts "B" and allen wrench "F"

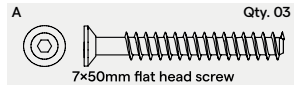
STEP 9 05



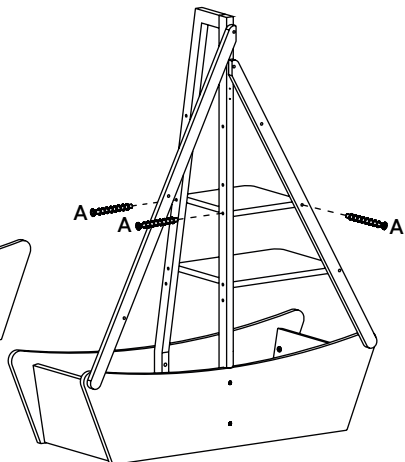
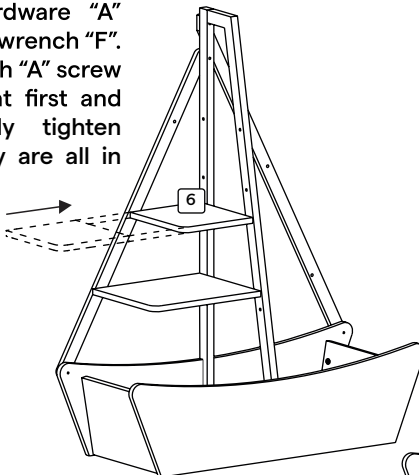
Attach shelf 05 (#5) to the structure using hardware "A" and the Z wrench "F". Install each "A" screw partially at first and then fully tighten once they are all in place.



STEP 10 06

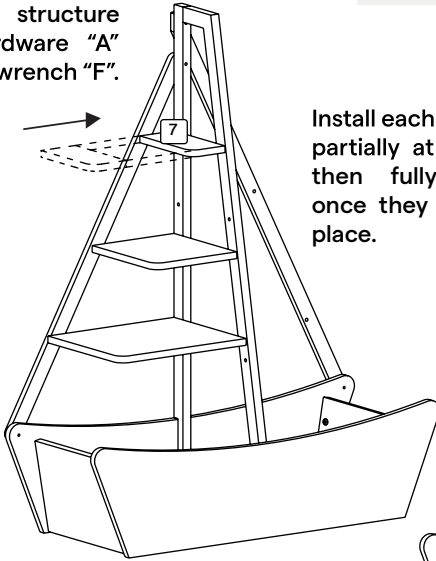
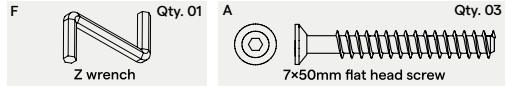


Attach shelf 06 (#6) to the structure using hardware "A" and the Z wrench "F". Install each "A" screw partially at first and then fully tighten once they are all in place.

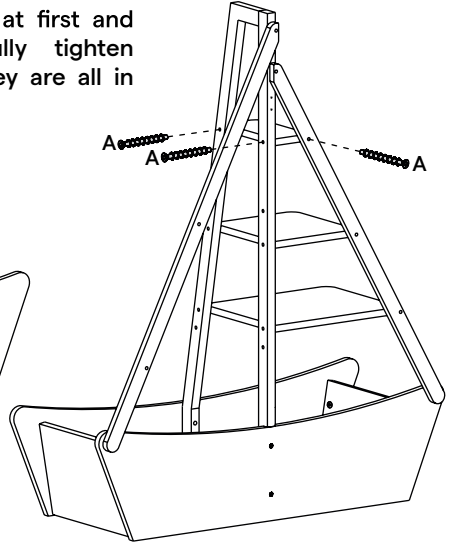


STEP 11 07

Attach shelf 07 (#7) to the structure using hardware "A" and the Z wrench "F".

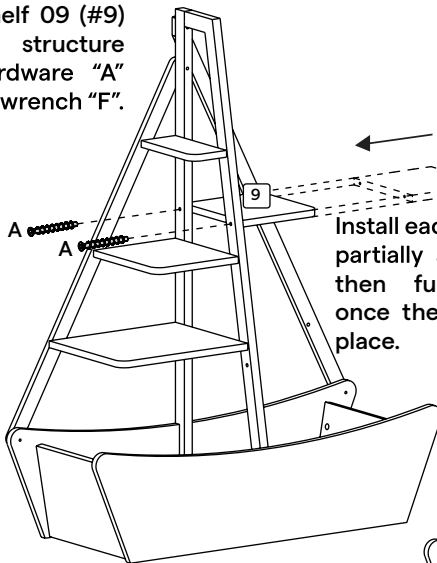


Install each "A" screw partially at first and then fully tighten once they are all in place.

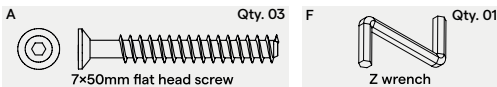
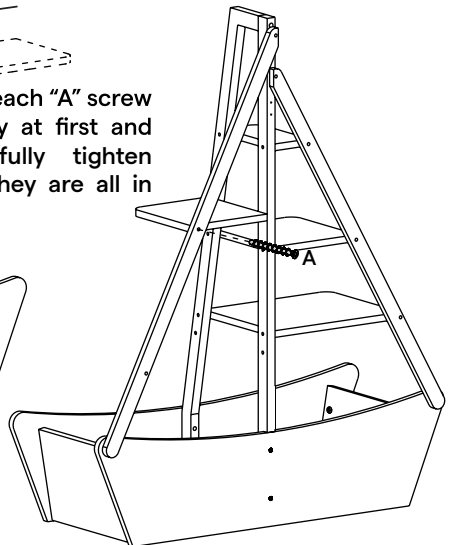


STEP 12 09

Attach shelf 09 (#9) to the structure using hardware "A" and the Z wrench "F".

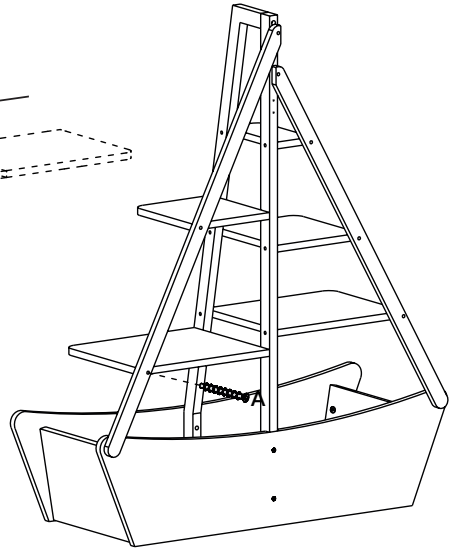
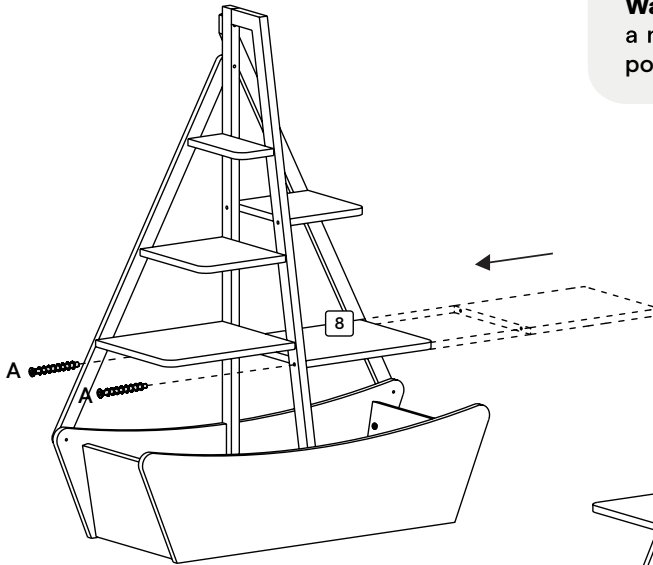
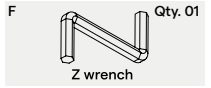
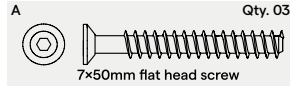


Install each "A" screw partially at first and then fully tighten once they are all in place.



STEP 13 08

Attach shelf 08 (#8) to the structure using hardware "A" and the Z wrench "F". Install each "A" screw partially at first and then fully tighten once they are all in place.

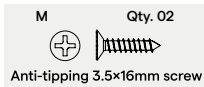


Warning: Do not exceed a maximum weight of 35 pounds on each shelf.

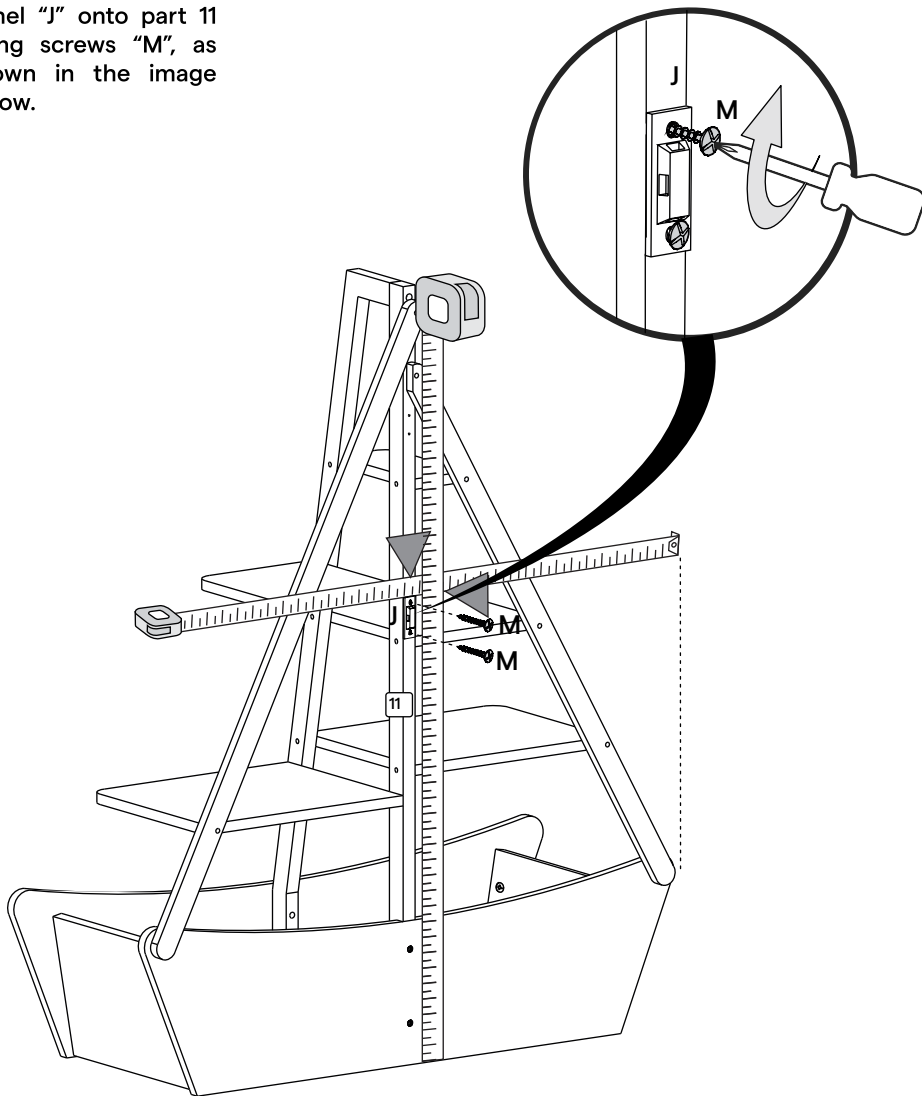


Warning: Do not use the shelves as a step.

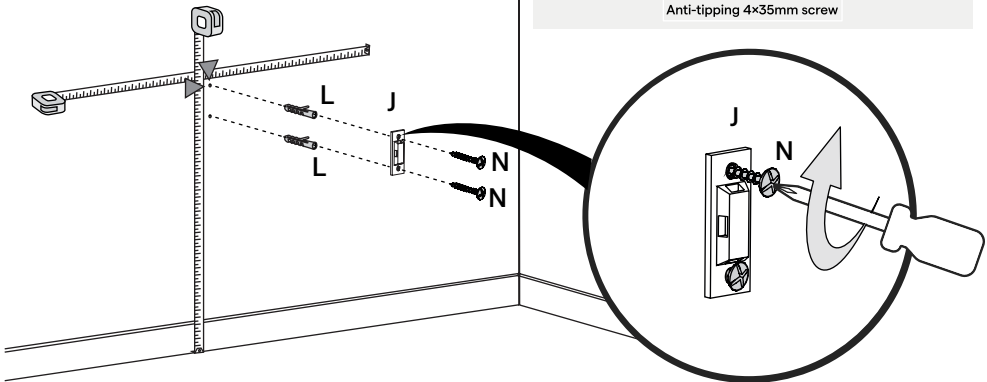
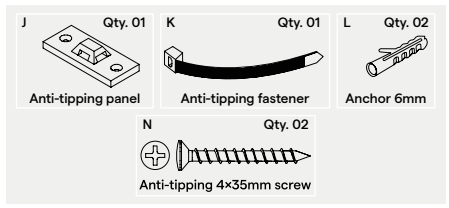
STEP 14 Attach the shelf to a wall using the anti-tipping hardware



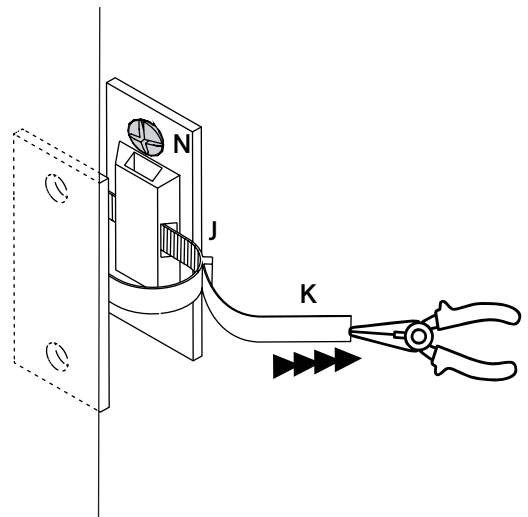
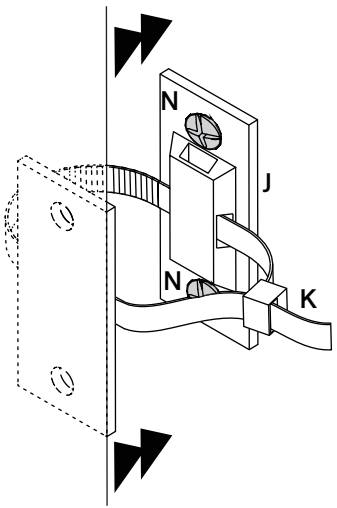
Attach the anti-tipping panel "J" onto part 11 using screws "M", as shown in the image below.



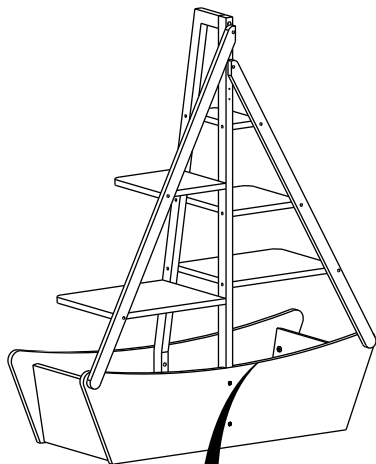
Position the second anti-tipping panel "J" onto a wall at the same height as the anti-tipping panel piece "J" attached to the shelf. Use a drill to create holes in the wall corresponding to the holes in the piece.



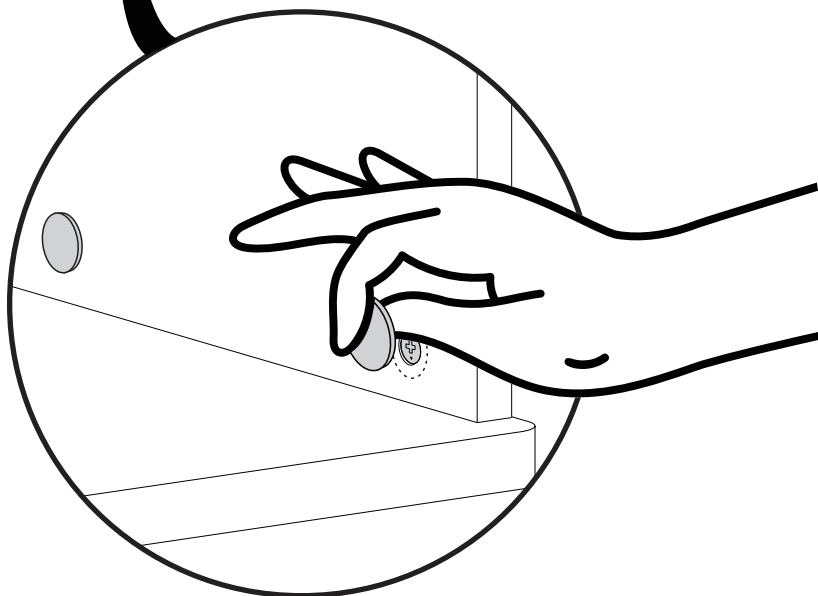
Insert the anchor pieces "L" into the holes in the wall. Then attach piece J to the wall, threading the "N" screws into each anchor "L". Finally, secure the anti-tipping panels to each other using the anti-tipping fastener "K".



STEP 15



Optional: Cover any holes with the adhesive hole covers "I".



We're Here to Help!

Our product specialists are on hand to answer any questions, help you set up and use your Nestig products, and bring the nursery you imagine to life:

Email us at hello@nestig.com
www.nestig.com/support
Monday - Friday | 10am-5pm ET

Nous sommes là pour vous aider!

Nos spécialistes produits sont à votre disposition pour répondre à toutes vos questions, vous aider à installer et utiliser vos produits Nestig et donner vie à la chambre d'enfant que vous imaginez:

Contactez-nous au hello@nestig.com
www.nestig.com/support
Lundi - Vendredi | 10h-17h HE



nestig.com



Nestig, Inc.
hello@nestig.com
PO Box 1106, New York, NY 10023