

NESTiG

The Wave Dresser



Please read all instructions before assembly
and use of product!

Lisez toutes les instructions avant
d'assembler et d'utiliser le produit!

Welcome to the Nestig World!

Our Warranty

Our products come with a limited two year warranty! We do our best to ensure everything arrives in perfect shape, but if anything arrives damaged, missing, or defective, our Customer Experience team is here to help.

Just email us at hello@nestig.com and we'll be glad to assist!

For more information on our warranty, visit:

<https://www.nestig.com/pages/warranty-policy>

Bienvenue dans le monde de Nestig!

Notre Garantie

Nos produits sont accompagnés d'une garantie limitée de deux ans! Nous faisons de notre mieux pour que tout arrive forme parfaite, mais si quelque chose arrive endommagé, manquant ou défectueux, notre équipe Expérience Client est là pour vous aider.

Envoyez-nous un e-mail à hello@nestig.com et nous serons heureux de vous aider!

Pour plus d'informations sur notre garantie, visitez:

<https://www.nestig.com/pages/warranty-policy>

WARNING: Failure to follow these warnings and instructions could result in serious injury or death.

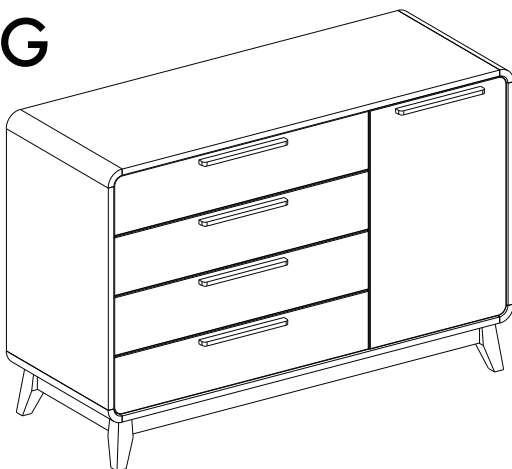
WARNINGS

- a) Do not place the product close to heating devices or open flame, since wood is flammable.
- b) Do not use the product if any piece is broken or missing. Only use spare parts sold and recommended by the manufacturer.
- c) Always secure this dresser to the wall, using the provided hardware. See individual instructions.
- d) Do not alter the item in any way or it may cause risks to the child.
- e) Do not use this product if you are unable to follow the accompanying instructions
- f) Only use the product after it is fully assembled following these instruction and after checking that all locking systems are properly activated.
- g) The dresser should be placed on a flat, horizontal surface.
- h) **Check this product for damaged hardware, loose joints, loose bolts of other fasteners, missing parts or sharp edges before and after assembly and frequently during use. Securely tighten loose bolts and other fasteners.**
- i) If any piece is broken or missing, contact the manufacturer and do not try to fix yourself.

⚠ WARNING	
	Children have died from furniture tipover. To reduce the risk of furniture tipover: <ul style="list-style-type: none">● ALWAYS install tipover restraint provided.● NEVER put a TV on this product.● NEVER allow children to stand, climb, or hang on drawers, doors, or shelves.● NEVER open more than one drawer at a time.● Place heaviest items in the lowest drawers
	<p><i>This is a permanent label. Do not remove!</i></p>

NESTiG

www.nestig.com

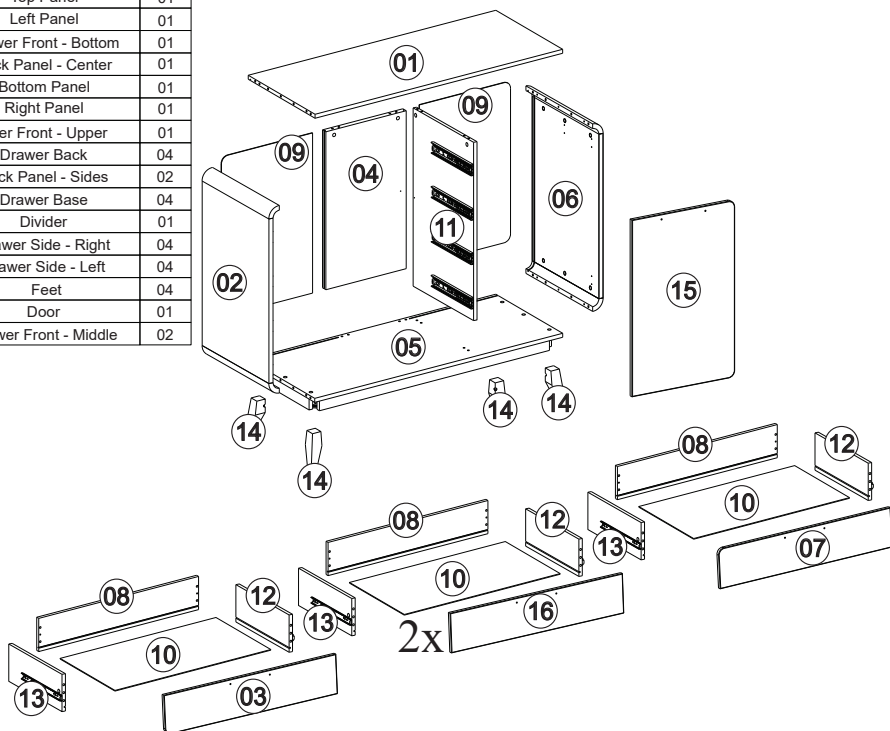




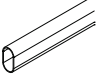
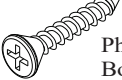

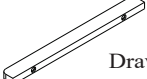
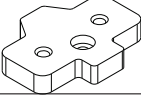
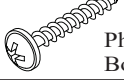
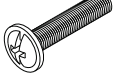

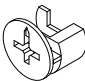
Use the ruler below to measure the hardware


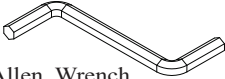
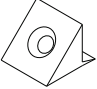
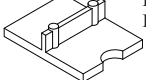
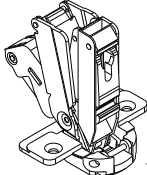
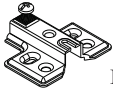
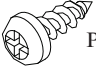




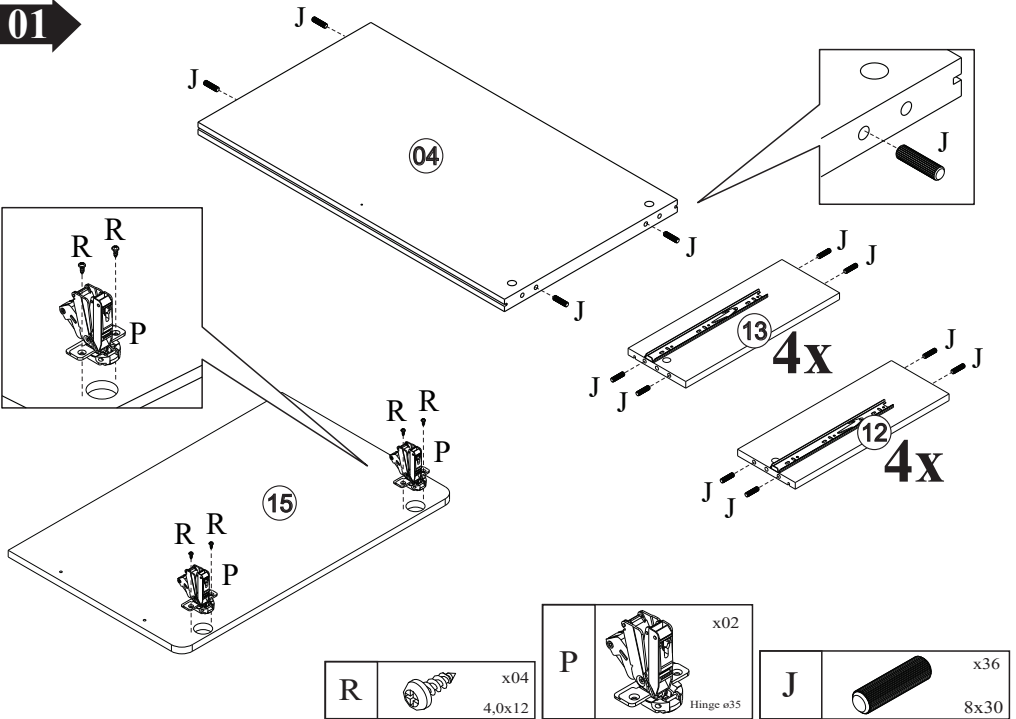
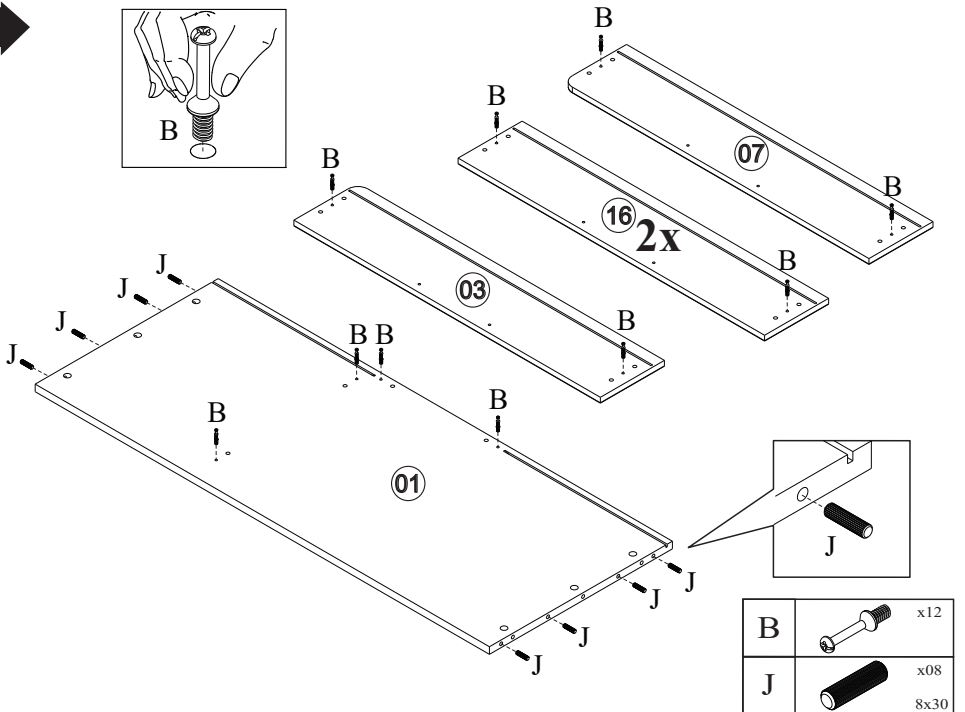
measures in mm

#	Product Part	Qty.
1	Top Panel	01
2	Left Panel	01
3	Drawer Front - Bottom	01
4	Back Panel - Center	01
5	Bottom Panel	01
6	Right Panel	01
7	Drawer Front - Upper	01
8	Drawer Back	04
9	Back Panel - Sides	02
10	Drawer Base	04
11	Divider	01
12	Drawer Side - Right	04
13	Drawer Side - Left	04
14	Feet	04
15	Door	01
16	Drawer Front - Middle	02

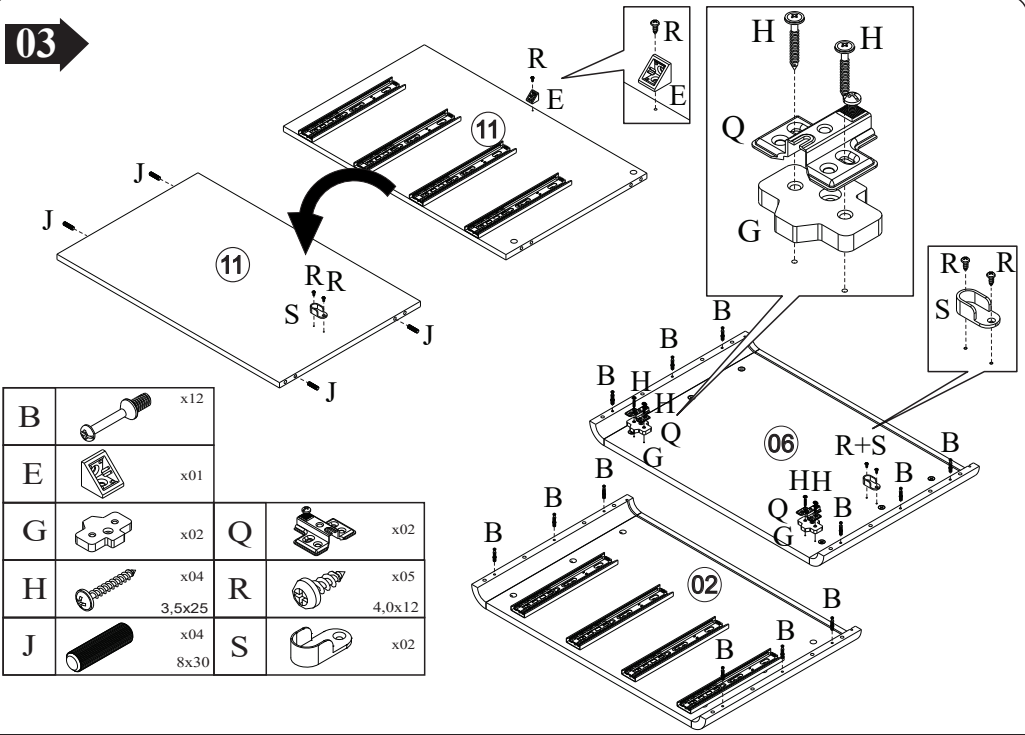


A	 Allen Head Bolt 1/4x40	04
B	 Cam Lock Bolt 30	24
C	 Hanger Bar	01
D	 Phillips Head Bolt 3,5x20	32
E	 Plastic Angle Bracket	01
F	 Drawer Hangle	05
G	 Hinge Shim	02
H	 Phillips Head Bolt 3,5x25	04
I	 Phillips Head Bolt M4x22	10
J	 Dowel 8x30	56
K	 Phillips Cam Lock Nut	24

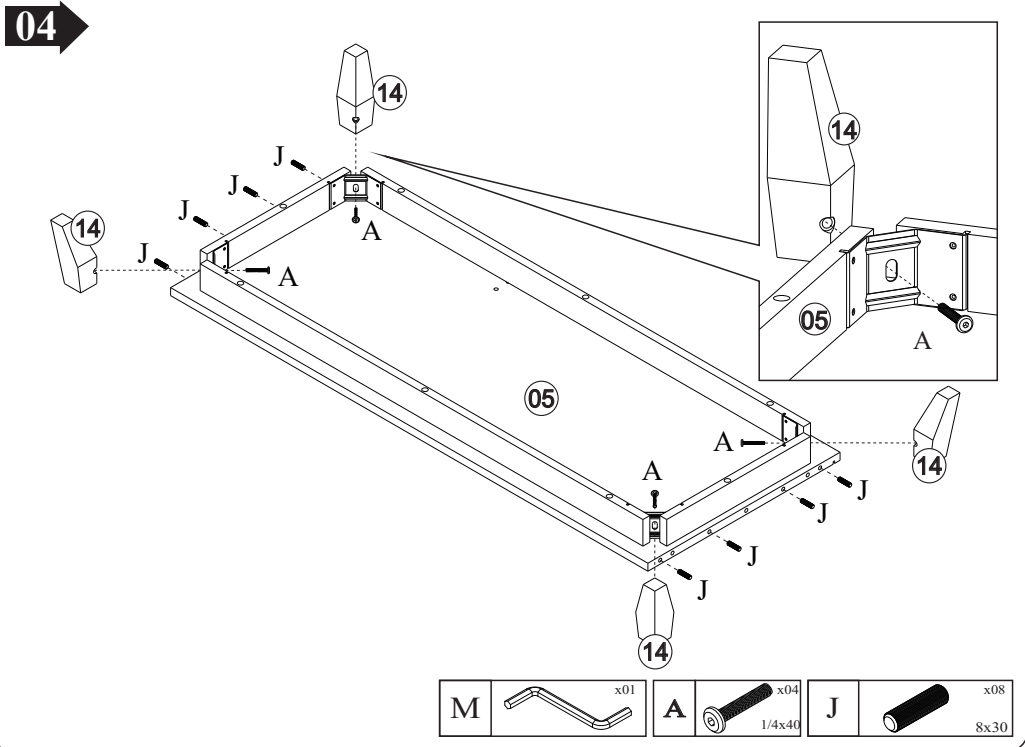
L	 Allen Head Bolt 7,0x50	04
M	 Allen Wrench	01
N	 Back Panel Lock	32
O	 Plastic Angle Bracket Cover	01
P	 Hinge ø35	02
Q	 Hinge Mount	02
R	 Phillips Head Bolt 4,0x12	10
S	 Hanger Bracket	02
T	 Phillips Head Bolt 4,5x45	08

01**02**

03

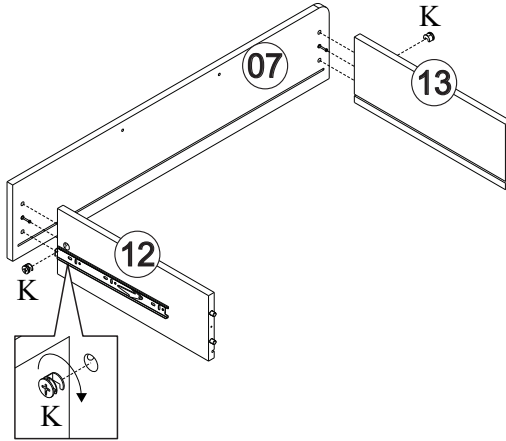



04

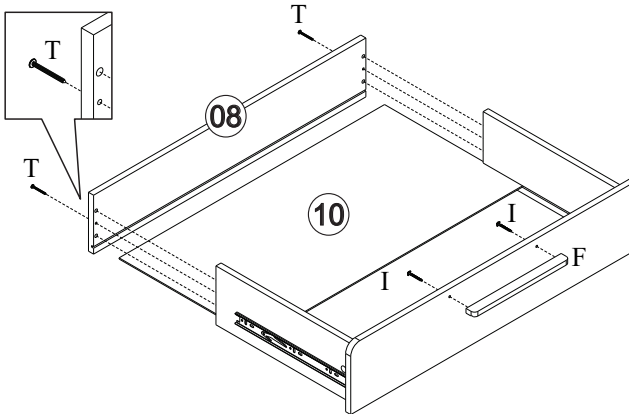





05 →

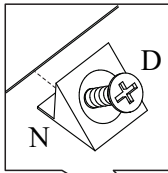
Using a Phillips screwdriver, further secure drawer front (07) to drawer sides (12 & 13) by turning the cam lock nuts "K" clockwise until tightened. Be sure that the arrows on each cam lock nut "K" end pointing away from piece 07.



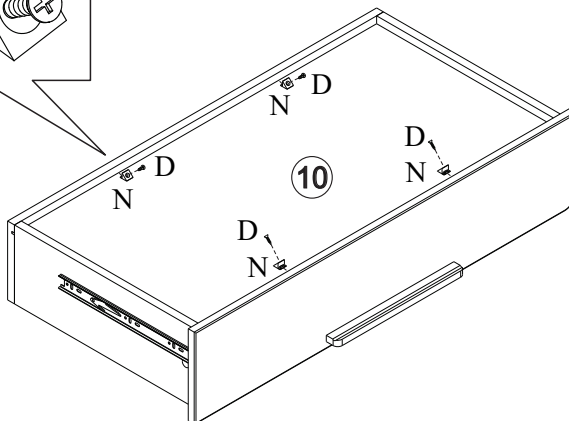
K		x02
---	---	-----



06 →

T		x02 4,5x45
I		x02 M4x22
F		x01 Drawer Handle

07 →

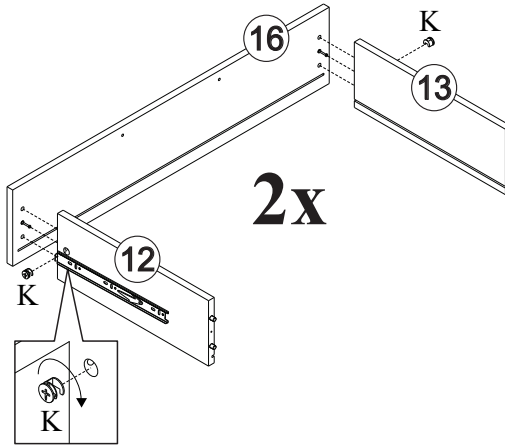
Distribute "N" and "D" evenly on the underside of the drawer.




N		x04
D		x04 3,5x20

08

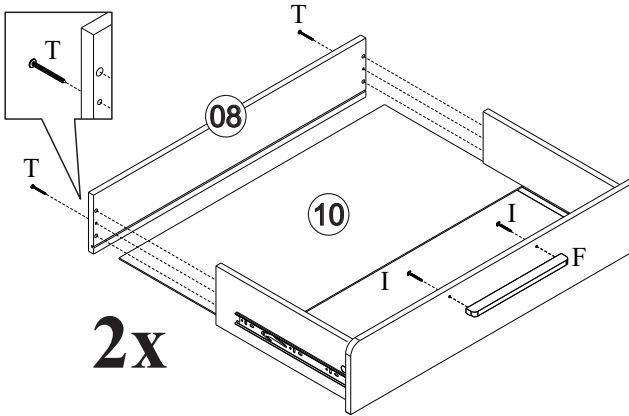
Using a Phillips screwdriver, further secure drawer front (16) to drawer sides (12 & 13) by turning the cam lock nuts "K" clockwise until tightened. Be sure that the arrows on each cam lock nut "K" end pointing away from piece 16.






2x

K		x04
---	---	-----

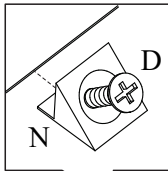
09



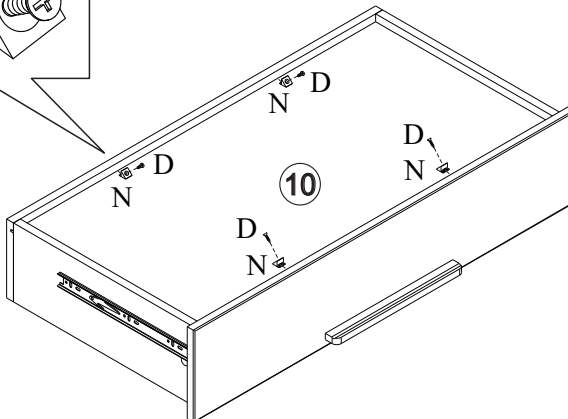
2x



T		x02 4,5x45
I		x02 M4x22
F		x01 Drawer Handle

10



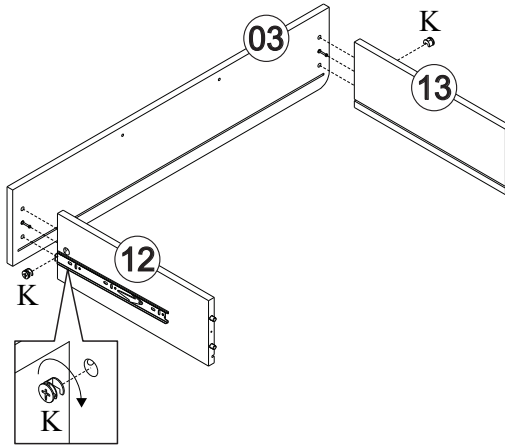
Distribute "N" and "D" evenly on the underside of the drawer.




N		x04
D		x04 3,5x20

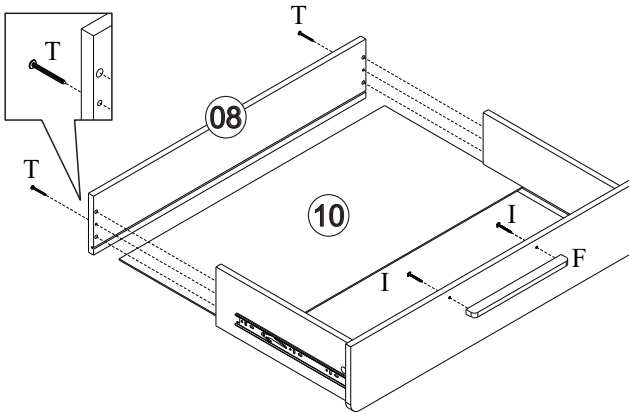
11 →




Using a Phillips screwdriver, further secure drawer front (03) to drawer sides (12 & 13) by turning the cam lock nuts "K" clockwise until tightened. Be sure that the arrows on each cam lock nut "K" end pointing away from piece 03.



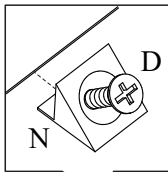
K		x02
---	---	-----

12 →

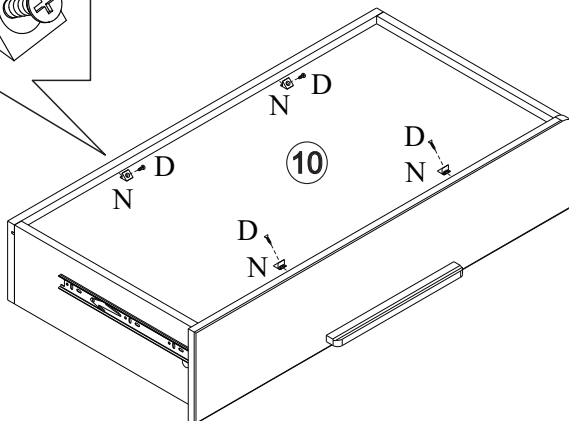




T		x02 4,5x45
I		x02 M4x22
F		x01 Drawer Handle

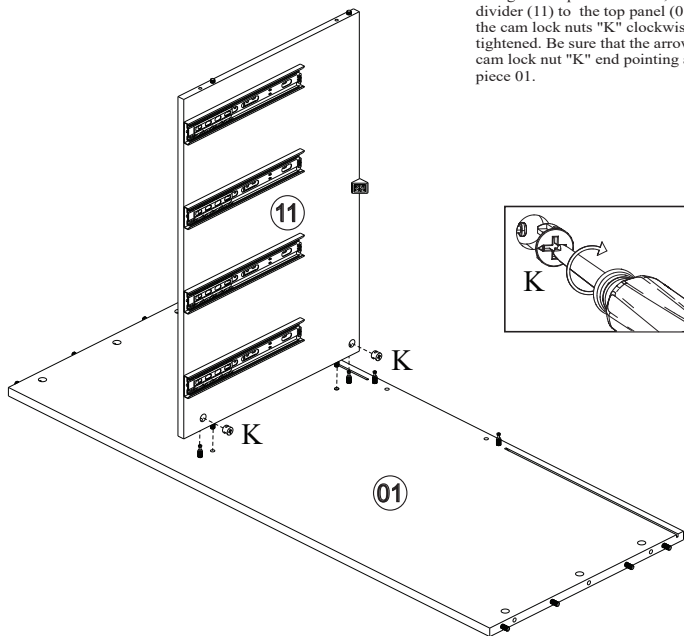
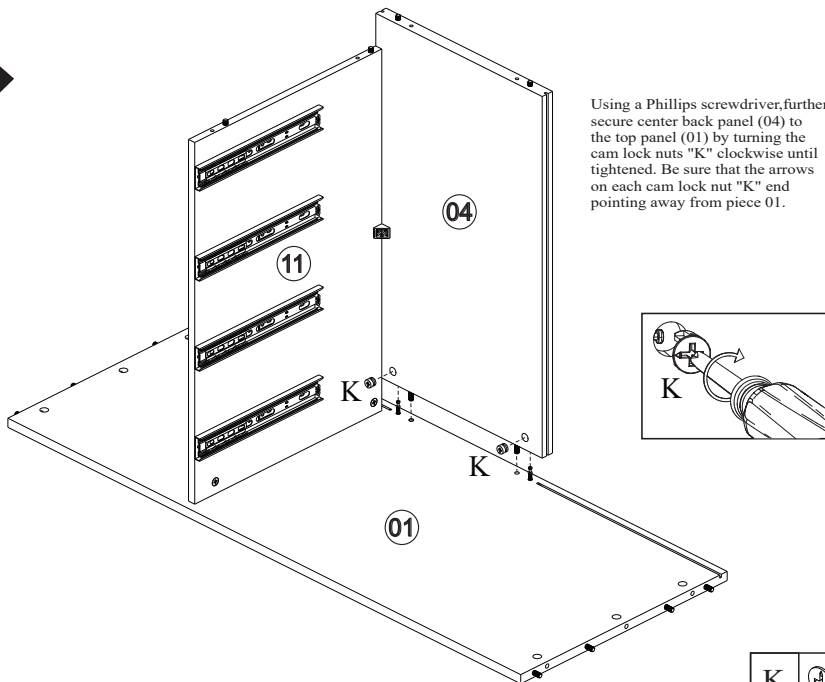
13 →



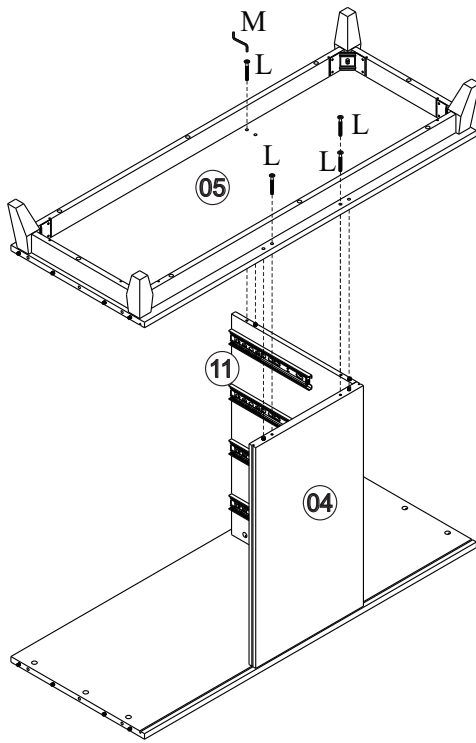
Distribute "N" and "D" evenly on the underside of the drawer.

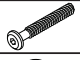
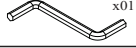


N		x04
D		x04 3,5x20

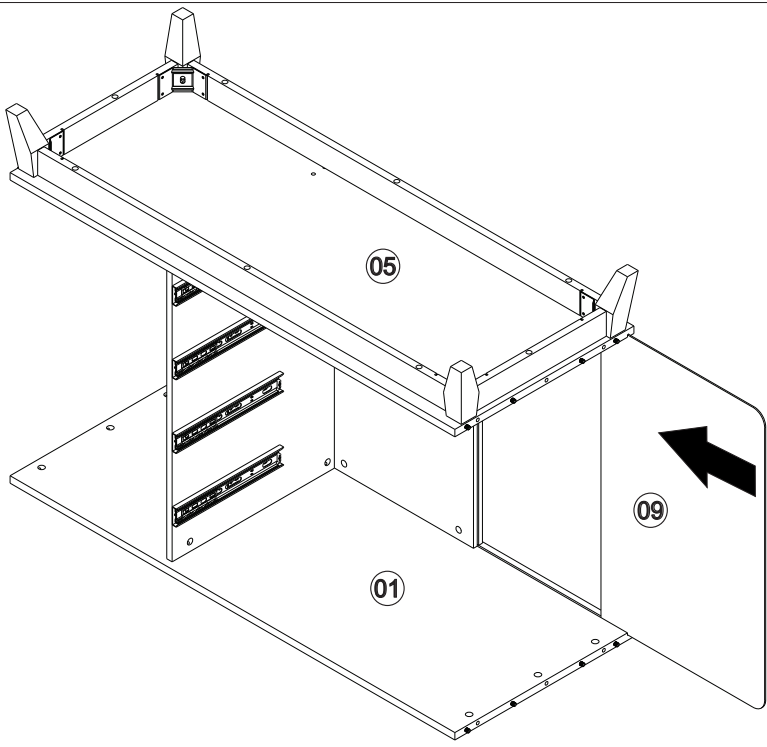
14 **K**  x02**15** **K**  x02

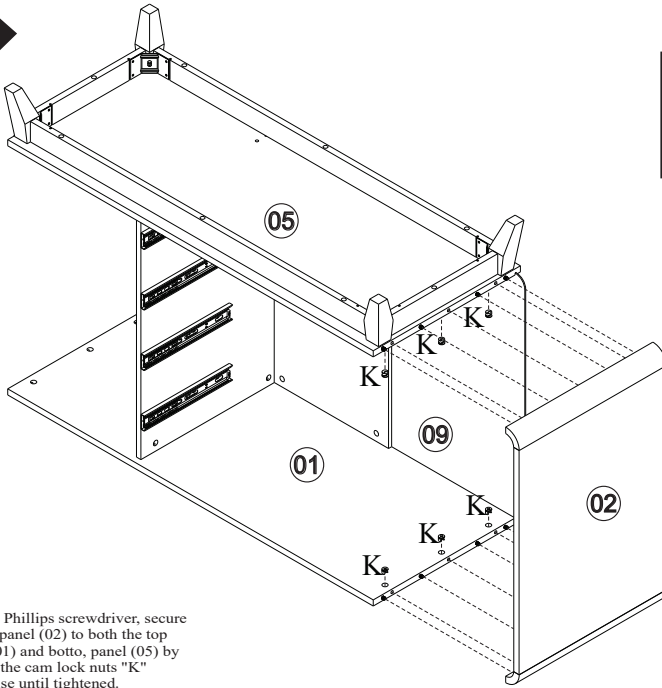
16



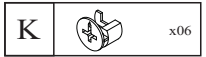
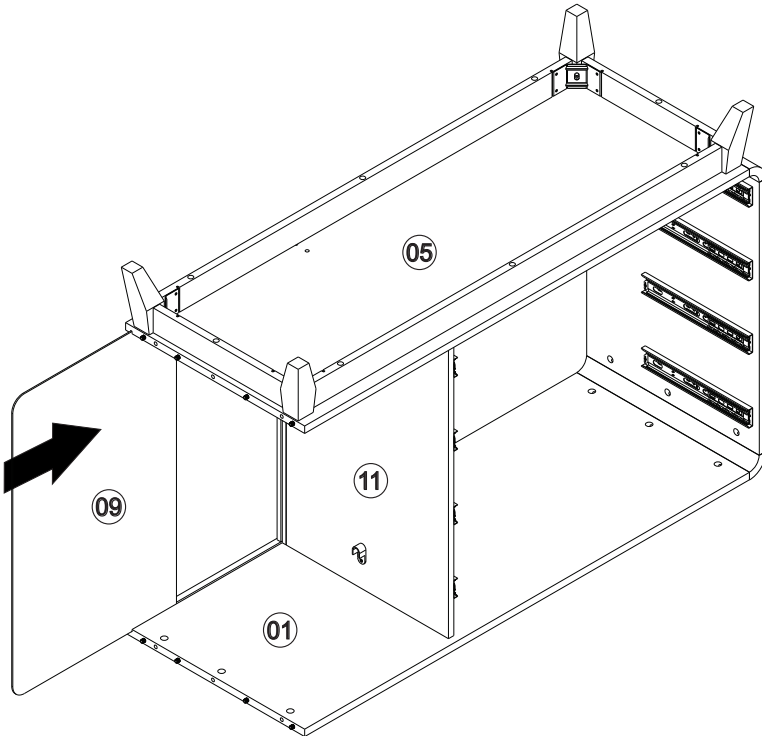
L		x04 7.0x50
M		x01

17

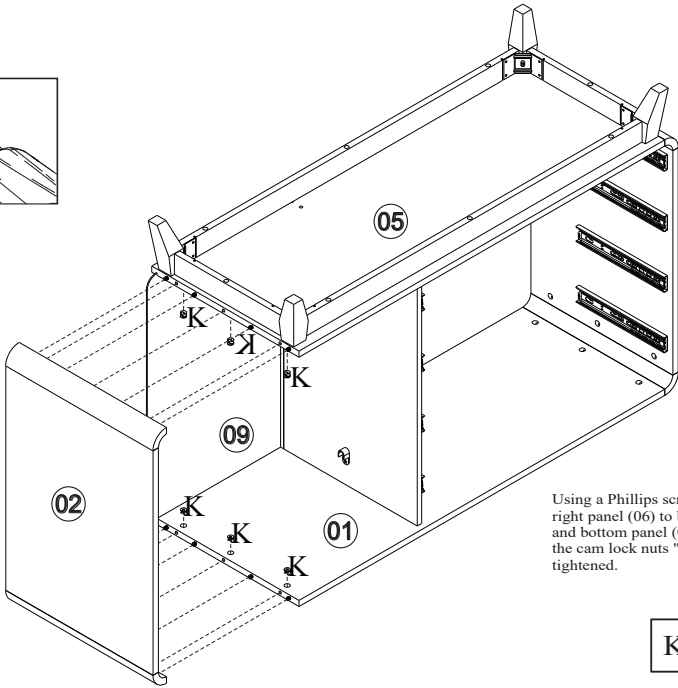
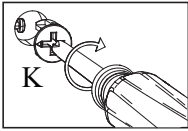


18 

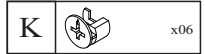
Using a Phillips screwdriver, secure the left panel (02) to both the top panel (05) and bottom panel (01) by turning the cam lock nuts "K" clockwise until tightened.

**19** 

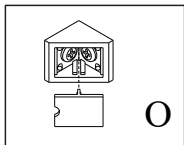
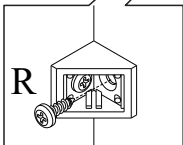
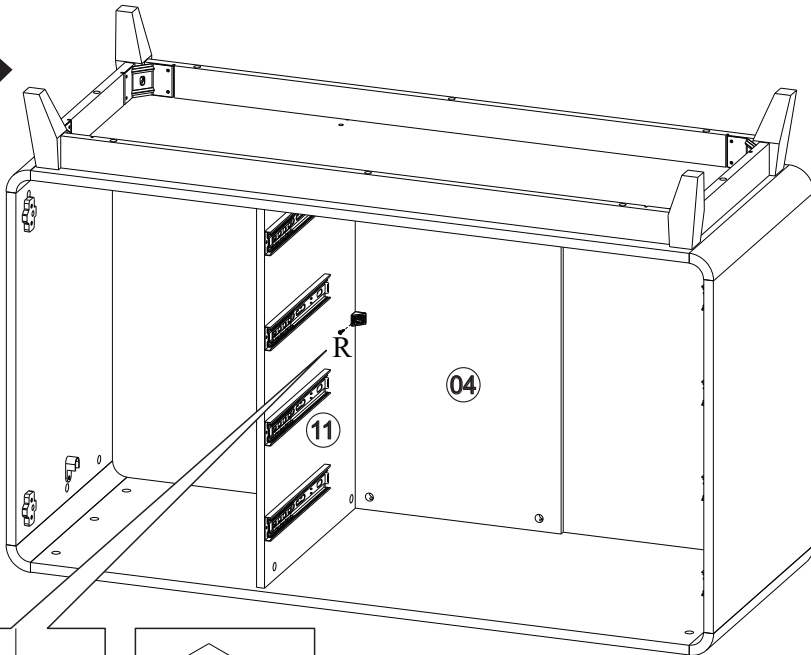
20

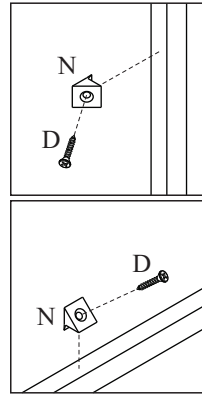
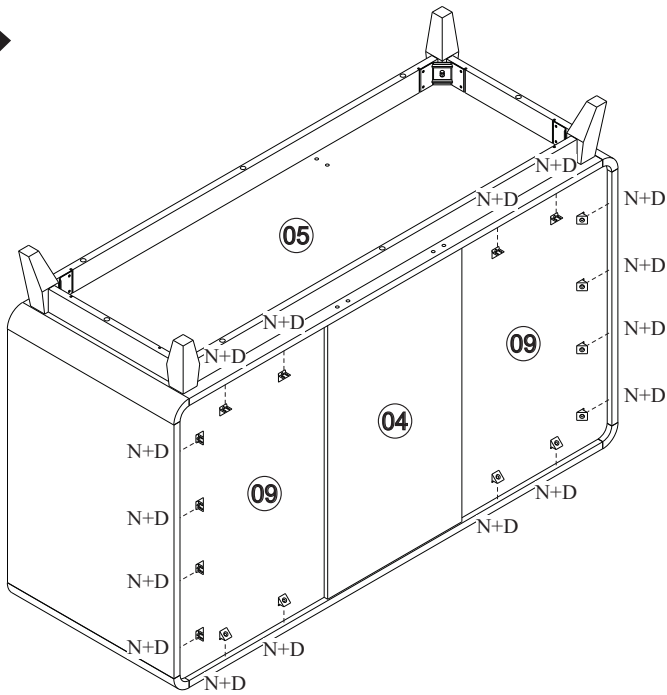



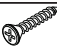
Using a Phillips screwdriver, further the right panel (06) to both the top panel (01) and bottom panel (05) by turning the cam lock nuts "K" clockwise until tightened.

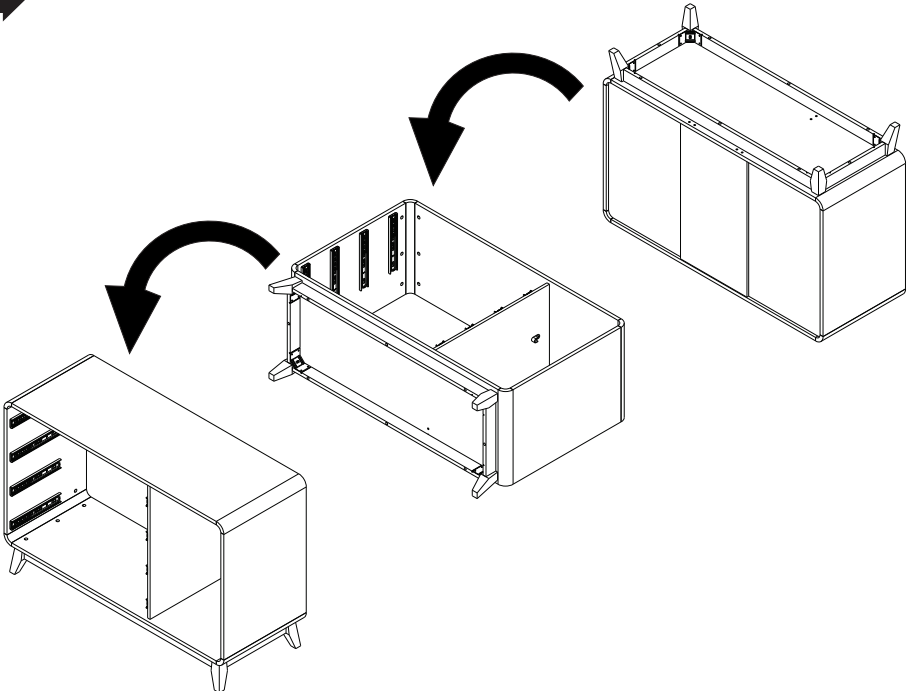


21



22 →

N		x16
D		x16 3,5x20

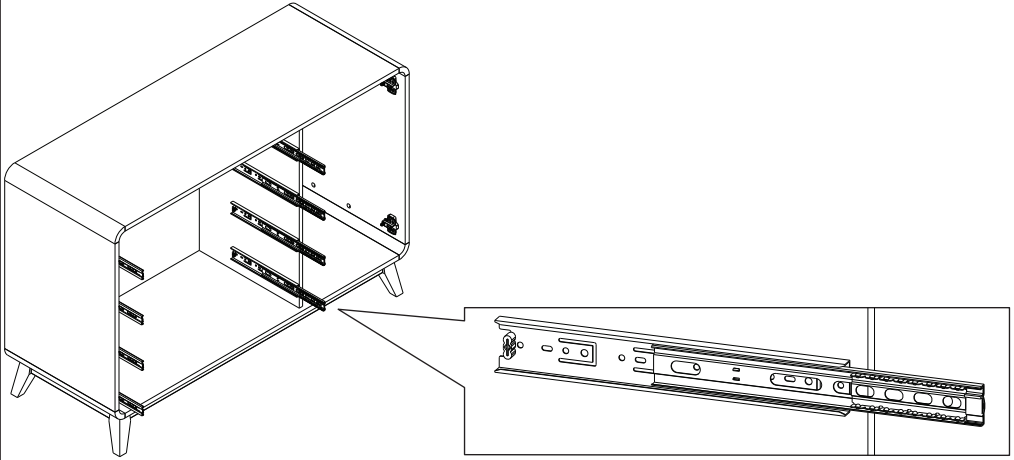
23 →

24 →

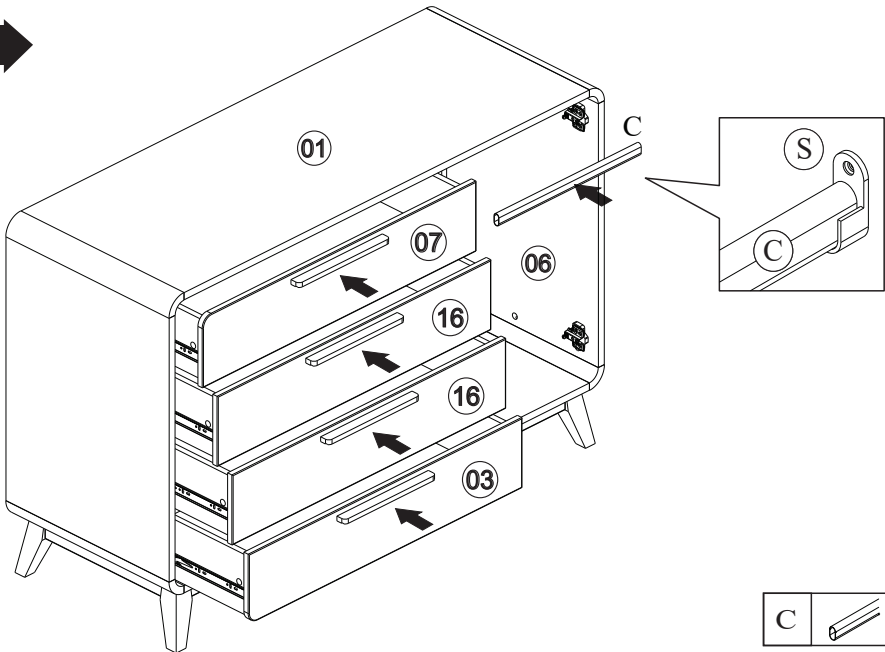
ATTENTION


BEFORE INSERTING THE DRAWER IN THE DRESSER, PULL BOTH THE SLIDER GUIDES FORWARD (LOCATED IN THE PIECE ATTACHED TO THE DRESSER INTERIOR). TO ENSURE PROPER ALIGNMENT WE RECOMMEND COMPLETING THIS STEP WITH 2 PEOPLE.

PULL BOTH SLIDER GUIDES (TWO ON EACH SIDE) FORWARD

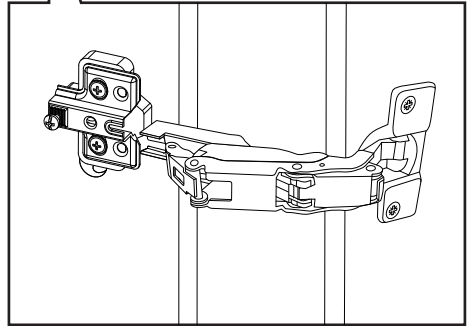
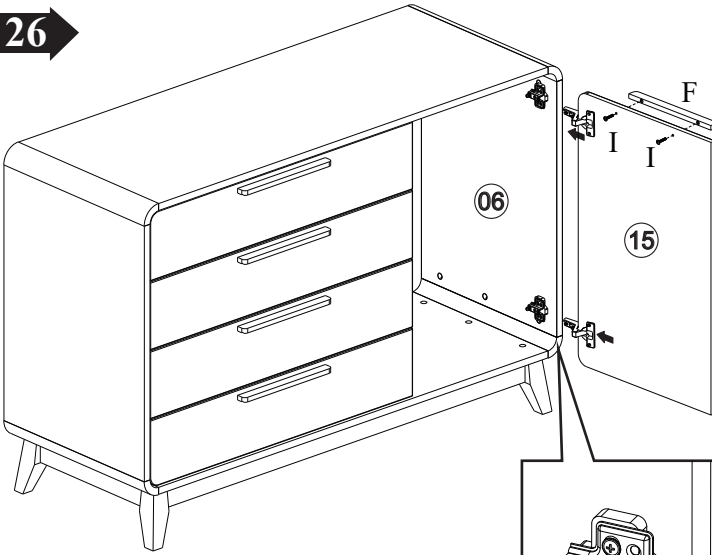


25 →



C  x01
Hanger Bar

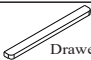

26

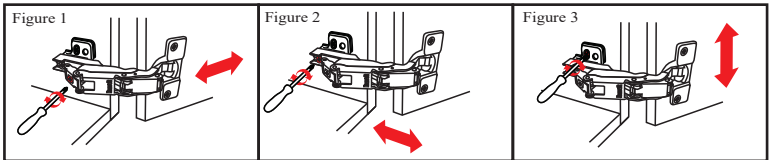


Adjusting the inside screw will help adjust the door horizontally (see figure 1).

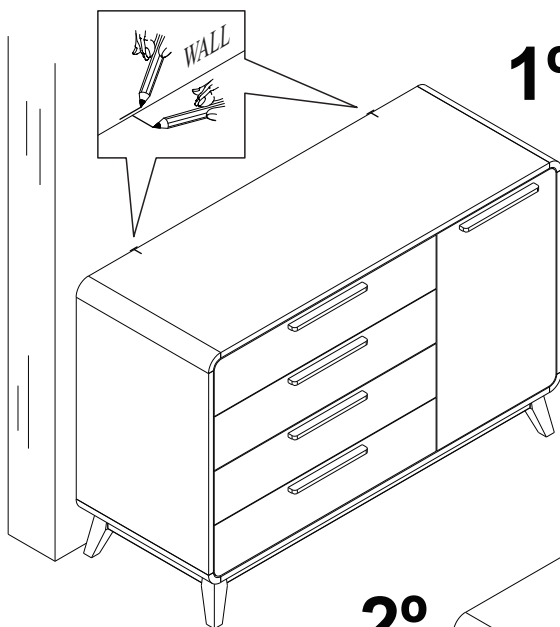
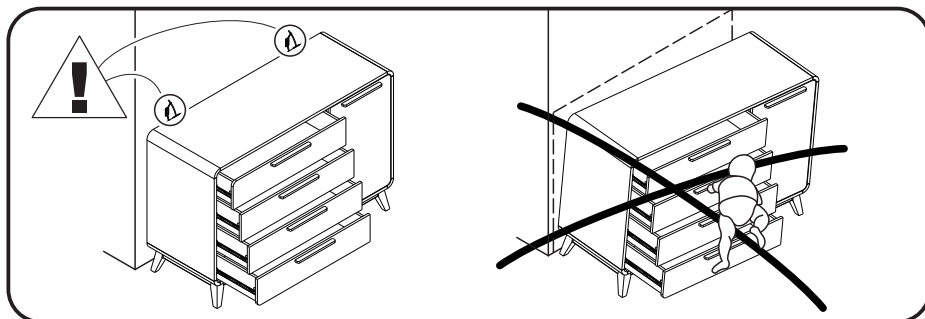
Adjusting the middle screw will help adjust the door depth (see figure 2).

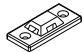



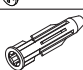
Adjusting the top screw will help adjust the door vertically (see figure 3).

F		x01
I		x02 M4x25

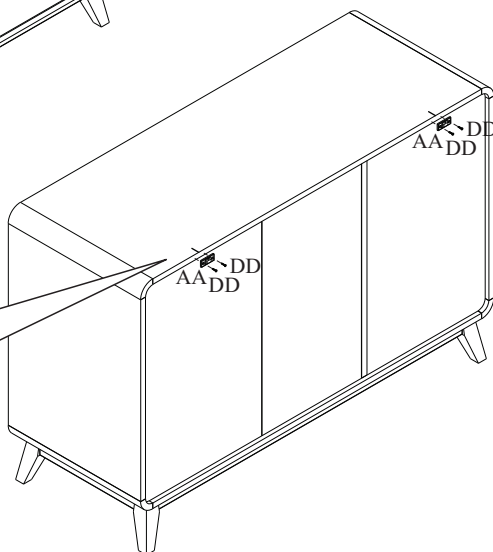
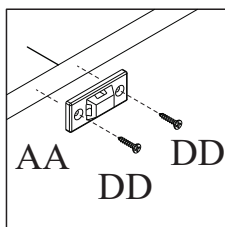


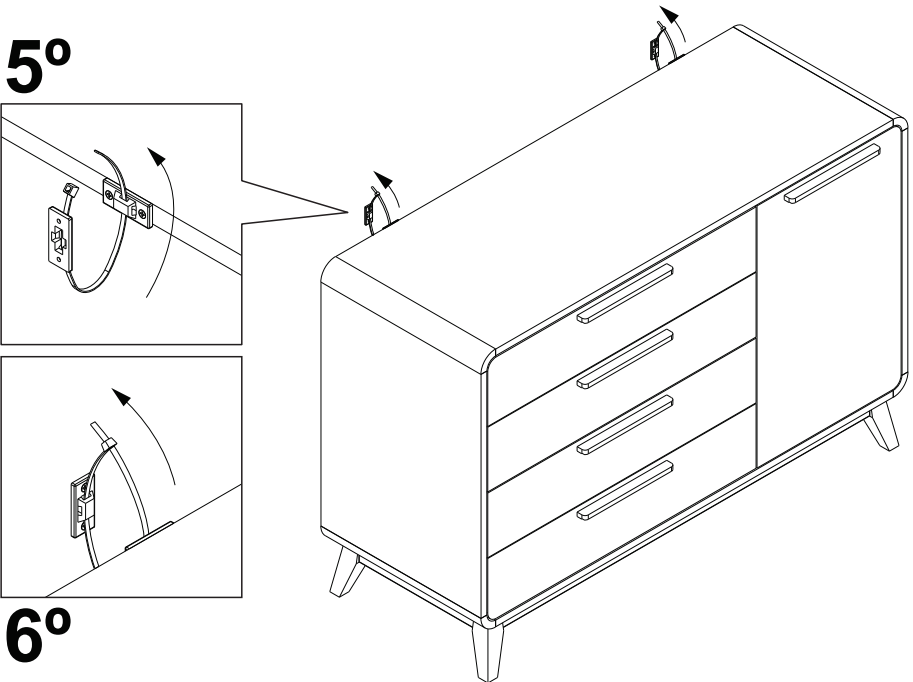
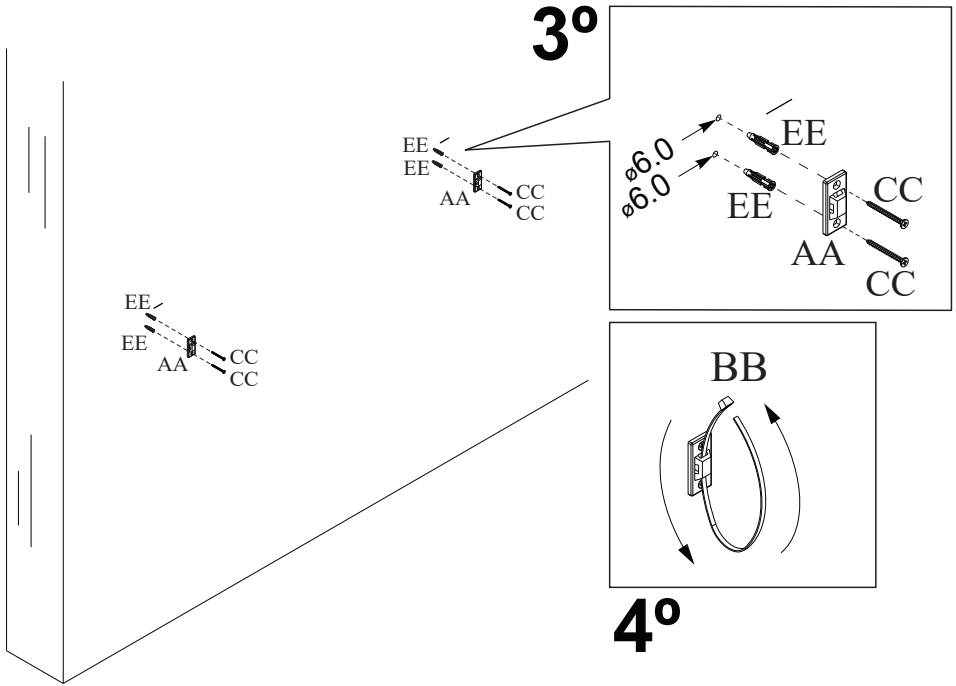
NESTiG



AA		Anti-tipping panel	04
BB		Anti-tipping fastener	02
CC		Anti-tipping 4x45mm screw	04
DD		Anti-tipping 3,5x20 mm screw	04
EE		Anchors 6mm	04

2°





We're Here to Help!

Our product specialists are on hand to answer any questions, help you set up and use your Nestig products, and bring the nursery you imagine to life:

Email us at hello@nestig.com
www.nestig.com/support
Monday - Friday | 10am-5pm ET

Nous sommes là pour vous aider!

Nos spécialistes produits sont à votre disposition pour répondre à toutes vos questions, vous aider à installer et utiliser vos produits Nestig et donner vie à la chambre d'enfant que vous imaginez:

Contactez-nous au hello@nestig.com
www.nestig.com/support
Lundi - Vendredi | 10h-17h HE



nestig.com



Nestig, Inc.
hello@nestig.com
PO Box 1106, New York, NY 10023